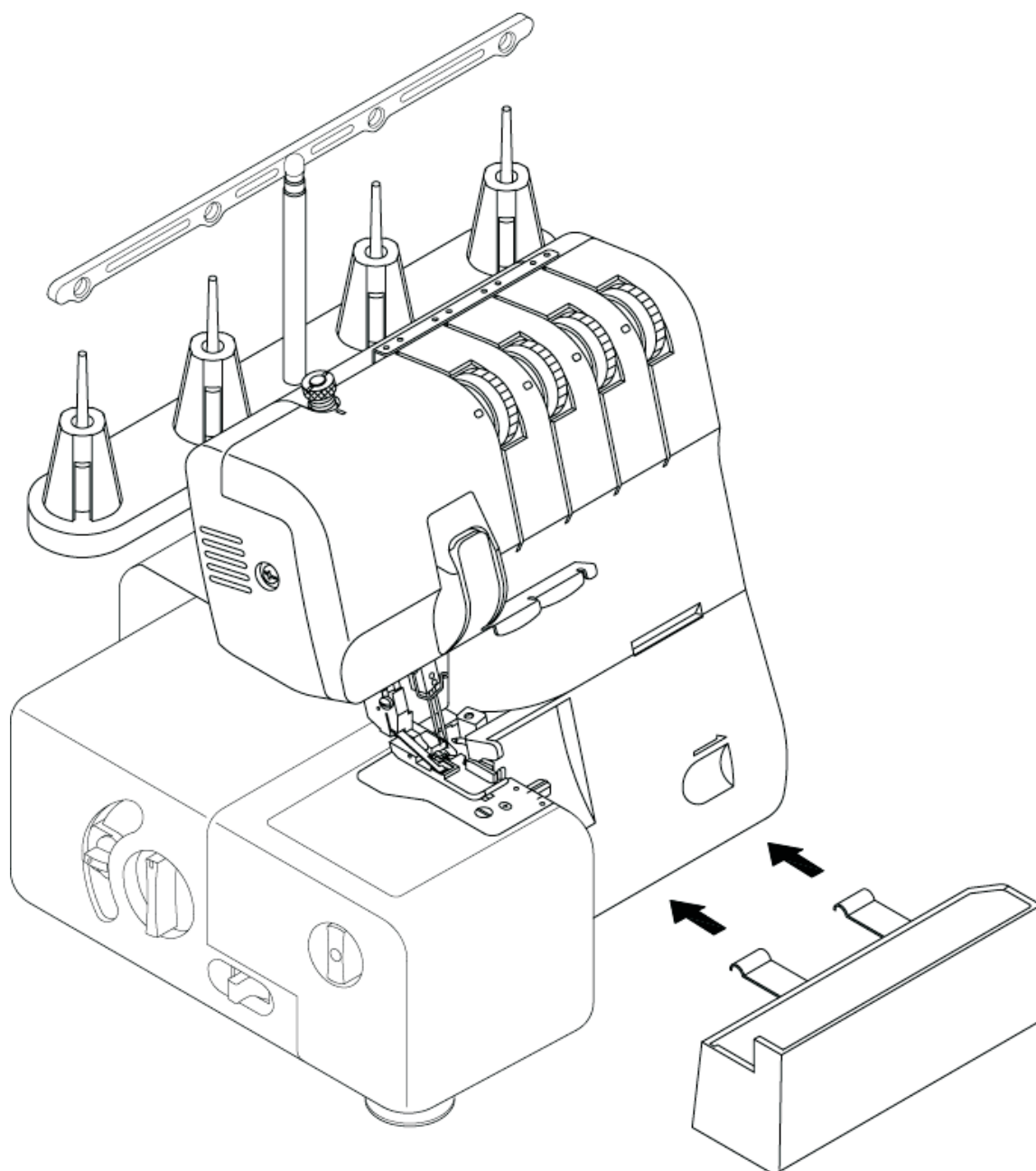


**MANUAL INSTRUCTION
HOUSEHOLD OVERLOCK MACHINE
Model: VS 350D**

**РУКОВОДСТВО ПО ЭКСПЛУАТАЦИИ
БЫТОВОГО ОВЕРЛОКА
Модель: VS 350D**



EAC ***Leader*** **CE**

PREFACE

Thank you for your purchase of this sewing machine. This machine intended for household use will provide you with excellent performance in sewing from light to heavy material (lawn to denim). Please refer to booklet for proper use and optimum service. To get the most out of your sewing machine, read the entire operator's guide before attempting to operate the machine. Then familiarize yourself with the machine following the operator's guide page by page.

To ensure that you are always provided with the most modern sewing capabilities, the manufacturer reserves the right to change the appearance, design or accessories of this sewing machine when considered necessary without notification or obligation.

For European Territories:

This Sewing Machine was tested according to European norms and meets the requirements regarding electrical safety radio interference and electromagnetic immunity.

The conformiyt is documented with the  mark.



IMPORTANT SAFETY INSTRUCTIONS

- * If the supply cord is damaged, it must be replaced by the manufacturer or its service agent or a similarly qualified person in order to avoid a hazard.
- * The appliance is not intended for use by young children or infirm persons without supervision.
- * Young children should be supervised to ensure that they do not play with the appliance.
- * Switch off or unplug the machine when leaving it unattended.
- * Before servicing the appliance , unplug the machine.
- * If the light unit is damaged,it must be replaced by authorized dealer.

IMPORTANT SAFETY INSTRUCTIONS

When using this machine, basic safety precautions should always be followed including the following.

Read all instructions before using the machine.



DANGER

– To reduce the risk of electric shock:

- * The machine should never be left unattended when plugged in. Always unplug the machine from the electric outlet immediately after using and before cleaning.



WARNING

– To reduce the risk of burns, fire, electric shock or injury to persons:

- * Be sure that the electrical voltage of the electric outlet (wall receptacle) is the same as the rated voltage of the motor.
- * Use this machine only for its intended use as described in this Operator's Guide. Use only attachments recommended by the manufacturer as contained in the Operator's Guide.
- * To disconnect, turn all controls to the off ("0") position, then remove plug from outlet.
- * Disconnect the power line plug from the socket outlet or switch the machine off when making any adjustments in the needle area, such as threading needle and loopers, changing needle, changing throat plate or changing presser foot, etc.
- * Always unplug the machine from the electrical outlet when removing covers, lubricating, or when making any other user servicing adjustments mentioned in the Operator's Guide.
- * Do not attempt to adjust the motor belt. Contact your nearest Service Center should any adjustment be required.
- * Do not unplug by pulling on cord. To unplug, grasp the plug, not the cord.
- * Handle the foot controller with care and avoid dropping it on the floor. Be sure not to place anything on top of it.
- * Always use the proper throat plate. The wrong plate can cause the needle to break.
- * Do not use bent needles.
- * When sewing, keep fingers away from all moving parts. Special care is required around the sewing machine needle.
- * Do not pull or push fabric while stitching. It may deflect the needle causing it to break.
- * Use only the handle to lift and move the machine.
- * Never operate the machine if it has a damaged cord or plug, if it is not working properly, if it has been dropped or damaged, or dropped into the water. Return the machine to the nearest authorized dealer or Service Center for examination, repair, electrical, or mechanical adjustment.
- * Never operate the machine with any air openings blocked. Keep ventilation openings of the machine and foot controller free from the accumulation of lint, dust and loose cloth.
- * Never drop or insert any object into any opening.

- * Do not use outdoors.
- * Do not operate where aerosol (spray) products are being used or where oxygen is being administered.
- * Do not allow to be used as a toy. Close attention is necessary when the machine is used by or near children.
- * Do not expose the machine or machine plastic case to sunlight directly. Also, do not keep it in a very warm or damp place.
- * Do not touch the machine, foot controller and power line cord with wet hand, wet cloth or with anything wet.
- * Do not connect power line cord to one of the many cords connected to one power outlet with adapters.
- * Use machine on flat and stable table.
- * Be sure to close the cylinder cover and looper cover before operating the machine.
- * Keep presser foot and needles away from children's reach.
- * Do not dismantle or modify the machine yourself.
- * Be sure to turn off the power switch and disconnect the power line plug before caring for your machine as instructed in the operator's guide.
- * This appliance can be used by children aged from 8 years and above and persons with reduced physical, sensory or mental capabilities or lack of experience and knowledge if they have been given supervision or instruction concerning use of the appliance in a safe way and understand the hazards involved. Children shall not play with the appliance. Cleaning and user maintenance shall not be made by children without supervision.

SAVE THESE INSTRUCTIONS

Servicing should be performed by an authorized service representative.

This product is not intended for industrial use.

FOR EUROPEAN AND SIMILAR TERRITORIES:

Machines for Great Britain and some other countries having similar wiring standards are shipped from the factory without a plug for connection to the mains. The wires in this mains lead are colored in accordance with the following code.

Blue: neutral (N) Brown: live (L)

As the colors of the wires in the mains lead of this appliance may not correspond with the colored markings identifying the terminals in your plug, proceed as follows:

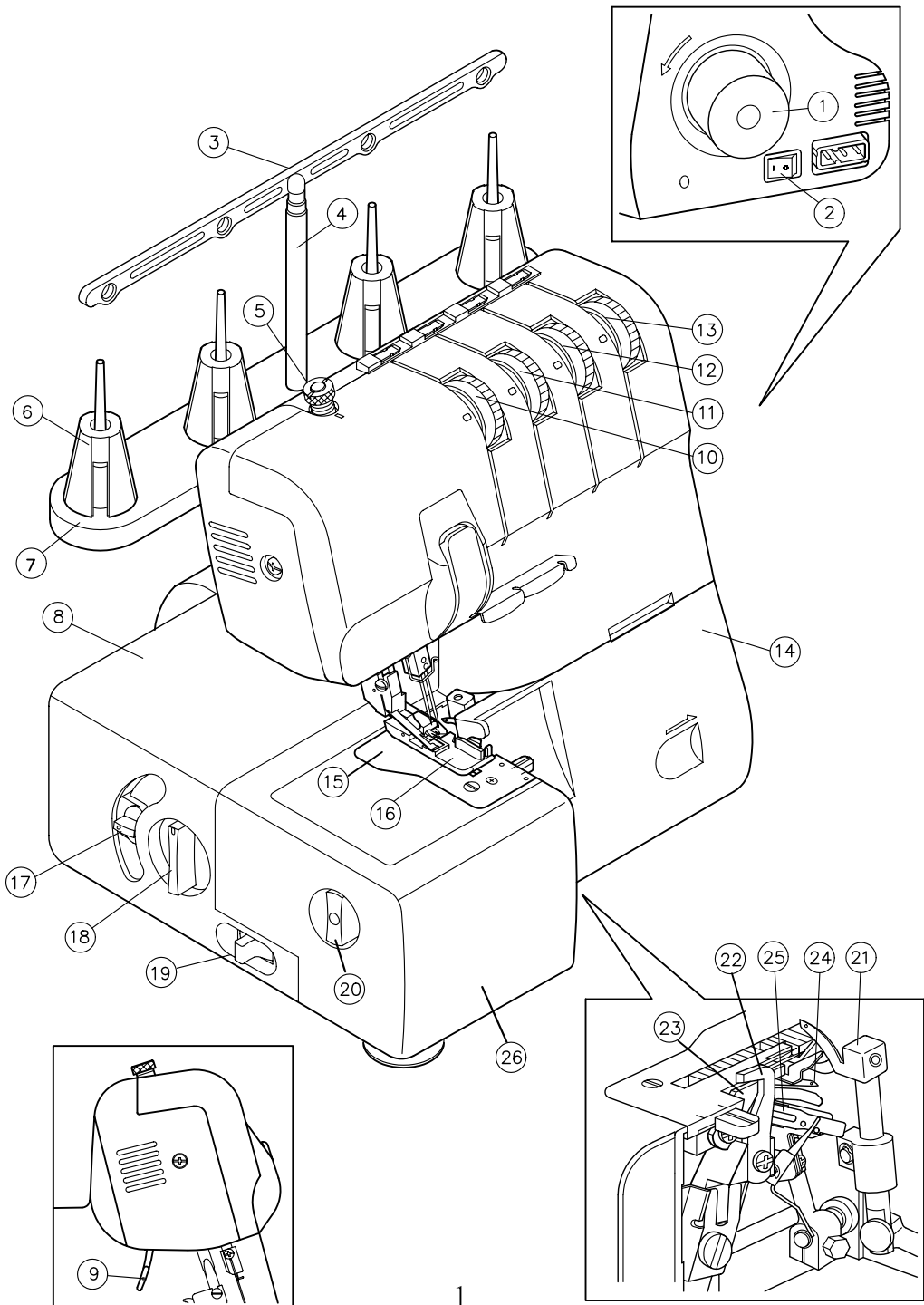
The wire which is colored blue must be connected to the terminal which is marked with the letter N or colored black. The wire which is colored brown must be connected to the terminal which is marked with letter L or colored red. If a 13 Amp. (BS 1363) plug is used, a 3 Amp. fuse must be fitted, or if any other type of plug is used, a 5 Amp. fuse must be fitted either in the plug or adaptor or at the distribution board.

Neither cord is to be connected to the earth terminal of a three-pin plug.

TABLE OF CONTENTS

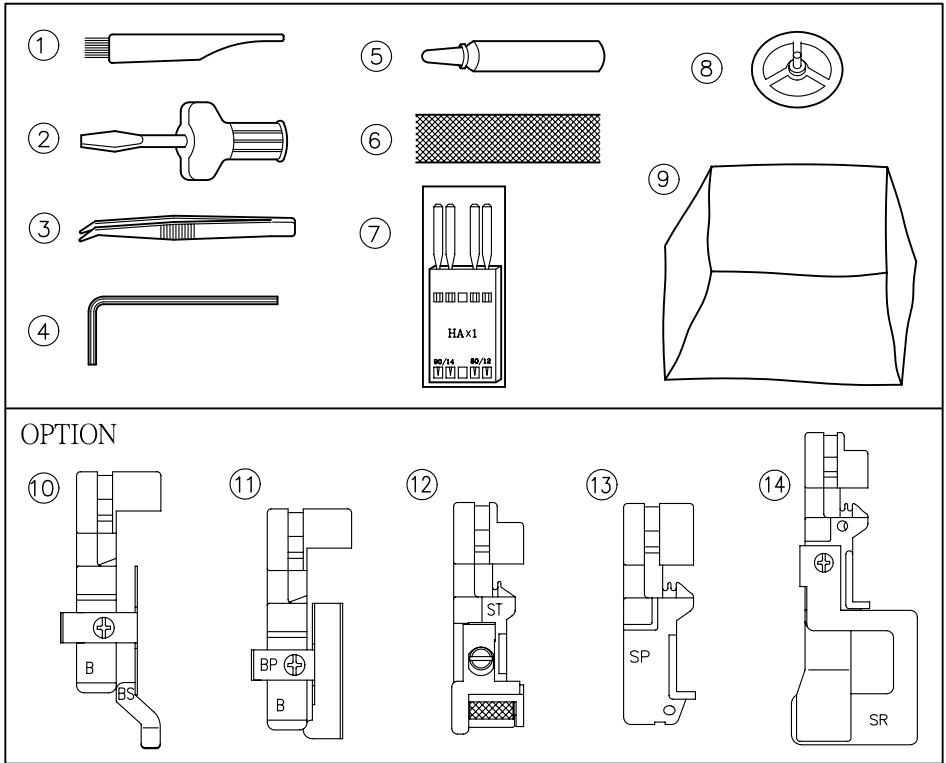
Principal parts	1
Accessories	3
Needle	4
How to open front cover	5
How to start the sewing machine	5
Foot Controller	5
How to use the Free Arm	6
How to adjust the Stitch Length	7
How to adjust the Stitch Width	7
Differential Feed	8
Setting thread guide holder	10
Spool caps	10
Spool nets	10
How to thread the upper looper	11
How to thread the lower looper	12
How to use the thread automatic lower looper threader	13
How to thread the left needle	14
How to thread the right needle	15
Comparison Chart of Sewing Materials, Thread and Needles	16
Adjusting the thread tension	17
Thread control	17
Chart of Tension Adjustment	18
Chart of Tension Adjustment	19
Sewing test	20
How to sew a chain pattern	21
If thread break during sewing	22
How to adjust the presser foot pressure	23
Elementary troubleshooting	24
Narrow and Rolled hem	25
Chart of Narrow Rolled hem	27
Other special purpose presser feet that are available	28
How to replace upper knife	29
Cleaning and oiling	30
Replacing the light bulb	31
Machine Specifications	32

Principal parts



- 1 Hand wheel
- 2 Main power switch and light switch
- 3 Thread tree
- 4 Spool stand shaft
- 5 Presser foot pressure adjustment screw
- 6 Spool cushion
- 7 Spool stand base
- 8 Cloth plate cover
- 9 Presser foot lever
- 10 Left needle thread tension dial
- 11 Right needle thread tension dial
- 12 Upper looper thread tension dial
- 13 Lower looper thread tension dial
- 14 Front cover
- 15 Needle plate
- 16 Presser foot
- 17 Differential feed ratio adjustment lever
- 18 Stitch length adjustment dial
- 19 Upper knife adjustment lever
- 20 Stitch width lever
- 21 Upper looper
- 22 Upper knife
- 23 Lower knife
- 24 Lower looper
- 25 Lower looper threading guide assembly
- 26 Sub table assembly

Accessories



The number represents the parts code

- 1 Cleaning brush
- 2 Screw driver
- 3 Tweezers
- 4 Hexagonal (Allen) wrench
- 5 Machine oil
- 6 Thread net x4
 - One-needle models x3
- 7 Needle set: HAx1
 - 80 / 12 : 2 pcs 90 / 14 : 2 pcs
- 8 Thread spool cap x4
 - One-needle models x3
- 9 Soft cover
- 10 Blind stitch foot (Option)
- 11 Bead/Sequin foot (Option)
- 12 Elasticator foot (Option)
- 13 Piping foot (Option)
- 14 Shirring foot (Option)

Needle

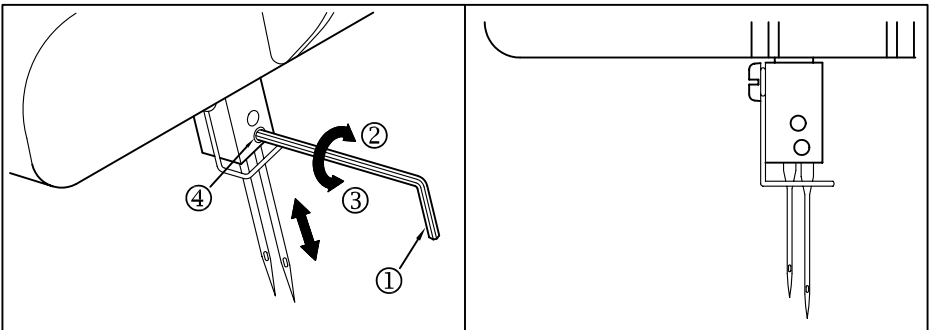
This sewing machine uses a family size standard needle.

The specification of the needle is HAx1 (130 / 705H).

Replace Needle

- (1) Turn the hand wheel to raise the needle to the highest position.
- (2) Use the enclosed allen key to loosen the needle set screw.
- (3) Insert the needle shank (flat side to back) into the needle clamp the needle clamp until fully inserted.
- (4) Tighten the needle set screw again.

- ① Allen key
- ② Tighten
- ③ Loosen
- ④ Needle set screw



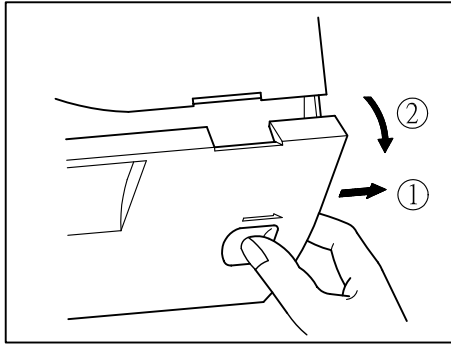
How to open front cover

Push the cover to the right as far as it will go. ①

Pull cover down toward you. ②

CAUTION :

Be sure front cover is closed when sewing.



How to start the sewing machine

Plug in the sewing machine. Press the power switch to position "1", and the indicator will light. Press the power switch to position "0", the indicator will be extinguished, and the power will be off.

When the front cover is opened, the motor will be switched off immediately although the power switch is at position "1".

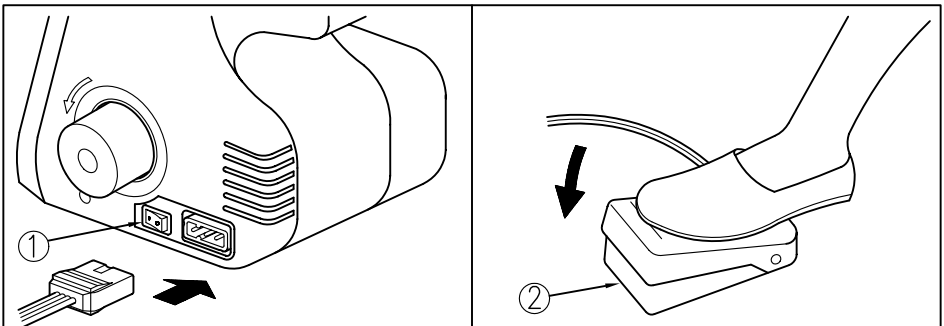
If you press the foot controller, the sewing machine is still on a POWER OFF status.

Foot Controller

Press the foot controller to control the sewing speed.

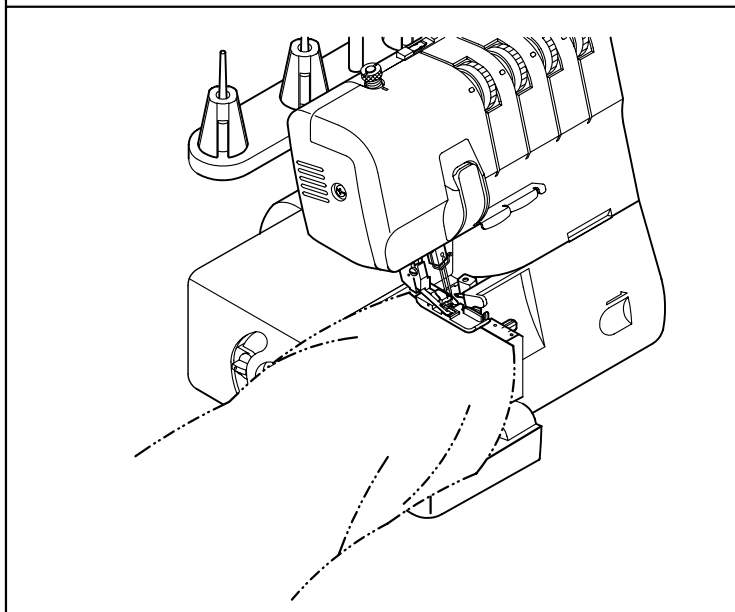
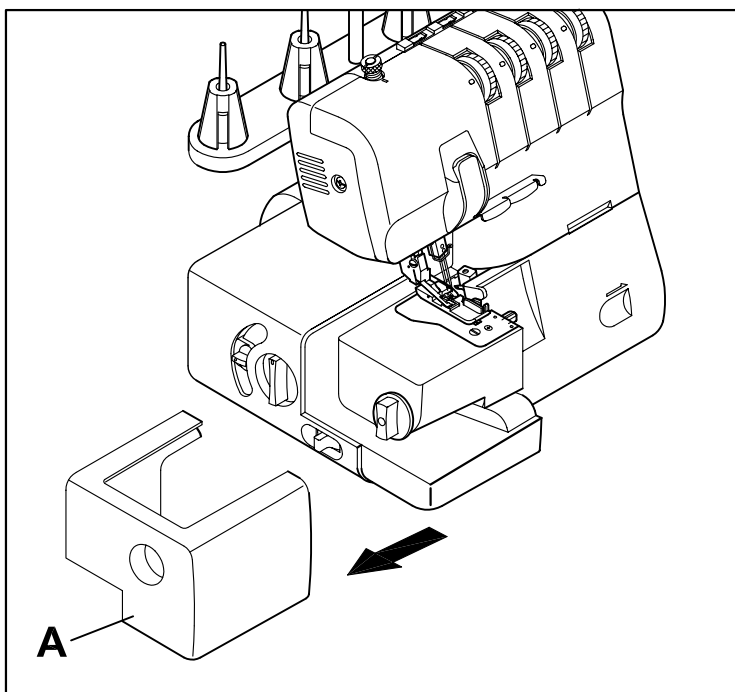
① Main Power and Sewing Light Switch

② Foot Controller(YC-483-5)



How to use the free arm

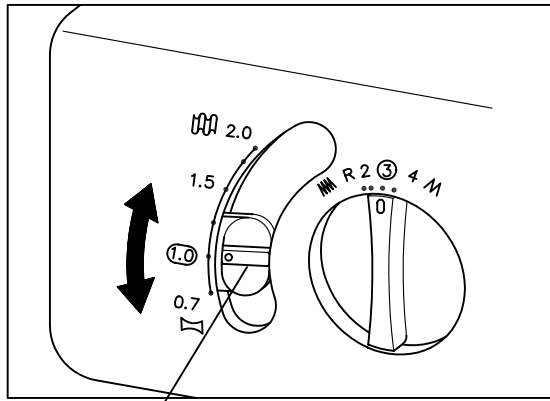
- 1 Pull piece A to the left.
- 2 Put sleeve or cuff on the Arm cover start the sewing.



Differential Feed

Move the differential feed runner as the figure shown to get your desired cloth feeding rate. The differential feed ratio is from 0.7 to 2.0 .

Normally we use a ratio of 1.0 .



Differential Feed Lever

Effect and application	Type of feeding	Main feed (rear)	Differential feed (front)	Setting
Waver-free seams, Gathering	Positive differential feed			1.0-2.0
No differential feed.	Neutral feed			1.0
Pucker-free seams	Negative differential feed			0.7-1.0

Differential feed

Please refer to pages 8 Differential feed.

Differential feed is designed to minimize puckering and wavering.
It is also very effective for gathering.

1. Puckering

Puckering tends to occur on woven or sheer fabrics.

To obtain picker-free seams, set the differential feed control lever at less than 1.

2. Wavering



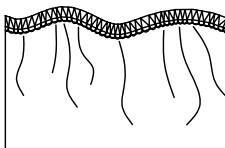
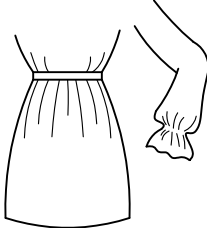
Wavering tends to occur on knitted or stretchable fabrics.

To obtain waver-free seams, set the differential feed control lever at less than 1.

3. Gathering

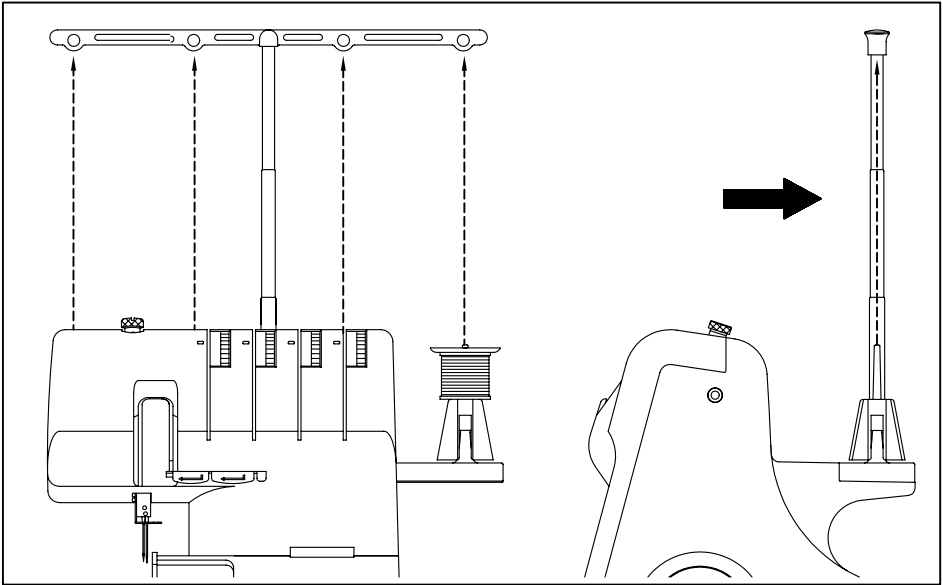
Differential feed makes gathering easier on lightweight fabric. Use it on waistlines, sleeve heads, sleeve bottoms and ruffles, etc.

Set the differential feed control dial between 1.5 and 2 to obtain the best gathering effect for your use.

 <p>Pucker or waver-free seams Coutures sans undulations / plissements</p>	 <p>Puckering Plissements (ou fronces)</p>
 <p>Wavering Undulations (ou embu)</p>	 <p>Gathering Assemblage</p>

Setting up the thread guide holder

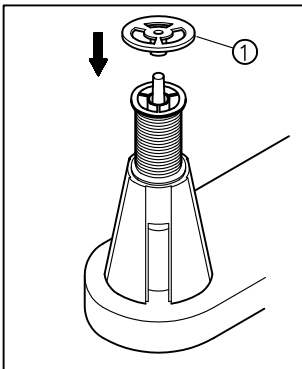
This machine is shipped with the thread guide holder in the lowered position. Raise the thread tree to the highest position. Then adjust it to the correct position.



Spool caps

Adapts a regular thread spool for use on the overlock machine.

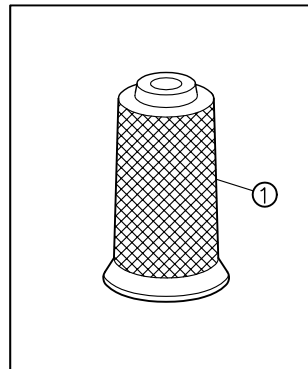
- ① Spool cap



Spool nets

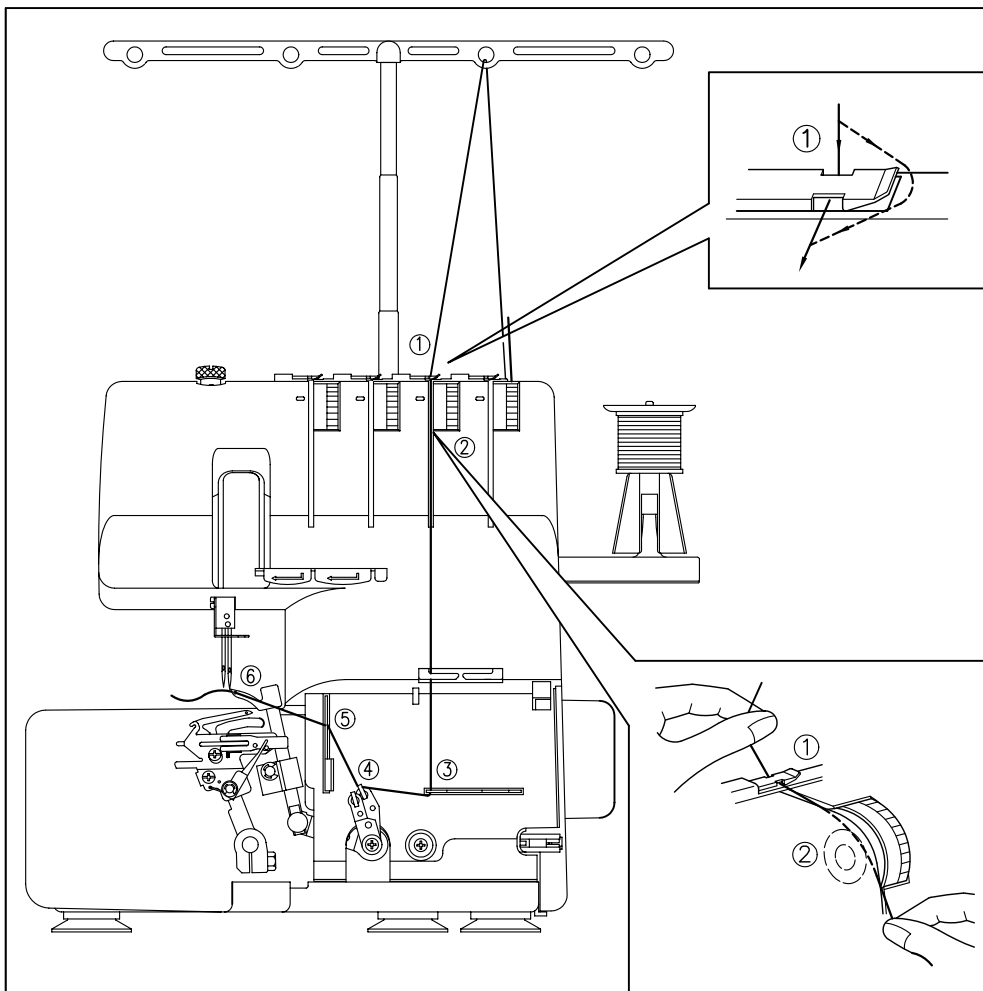
Polyester or bulky nylon threads become loose while unwinding. To keep consistent feeding of such threads, utilize spool net sleeving over the spool.

- ① Net



How to thread the upper looper (Two-needle models)

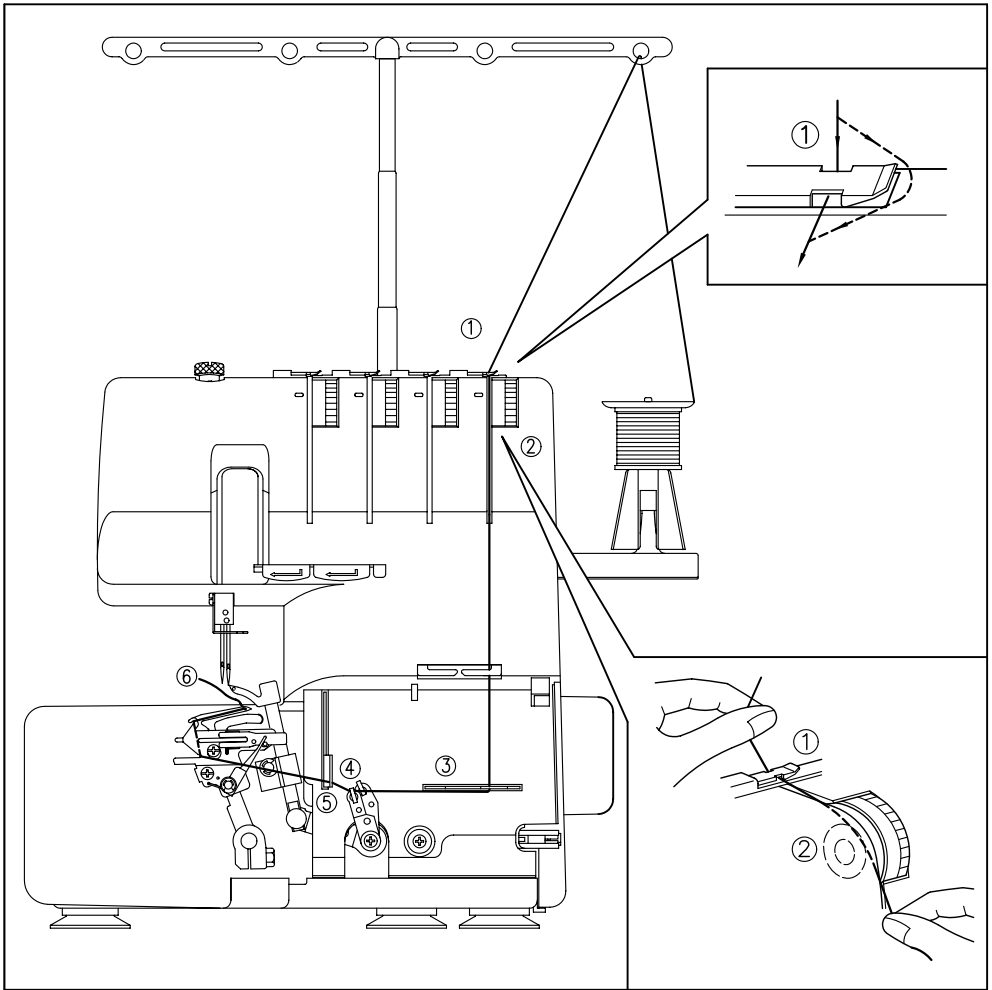
See the figure, and thread the upper looper as indicated ①~⑥.



- 1 Pull out the thread from the thread spool. Thread the guide hole of the thread tree from back to front.
- 2 Correctly thread the Thread Guide ①.
- 3 Lead the thread into the groove, and let the thread pass the tension disc of the tension adjustment dial ②.
- 4 Thread the looper area of the machine following the green color coded thread guides ③~⑤.
- 5 Thread the hole in the upper looper from front to back ⑥.

How to thread the lower looper

See the figure, and thread the lower looper as indicated ①~⑦.



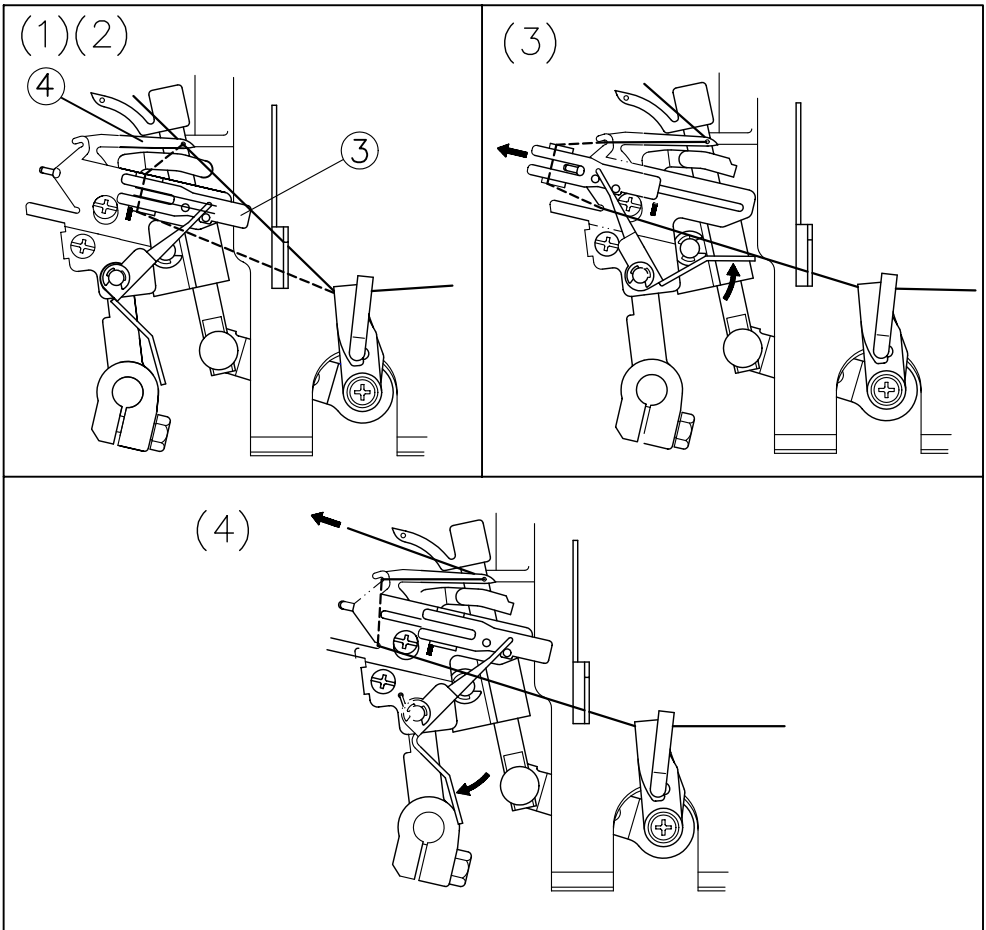
- 1 Pull out the thread from the thread spool. Thread the guide hole of the thread tree from back to front.
- 2 Correctly thread the Thread Guide ①.
- 3 Lead the thread into the groove, and let the thread pass the tension disc of the tension adjustment dial ②.
- 4 Thread the looper area of the machine following the blue color coded thread guides ③~⑦.

How to use the thread automatic lower looper threader

1. Draw the thread through the lower looper ④.
2. Slide thread behind finger of thread guide slide ③.
3. Push up the thread guide slide ③ to the highest position.
4. Release the thread guide slide ③ and then draw the thread out from back of the foot. Do not allow threads to cross.
Take lower looper thread under that of upper looper.

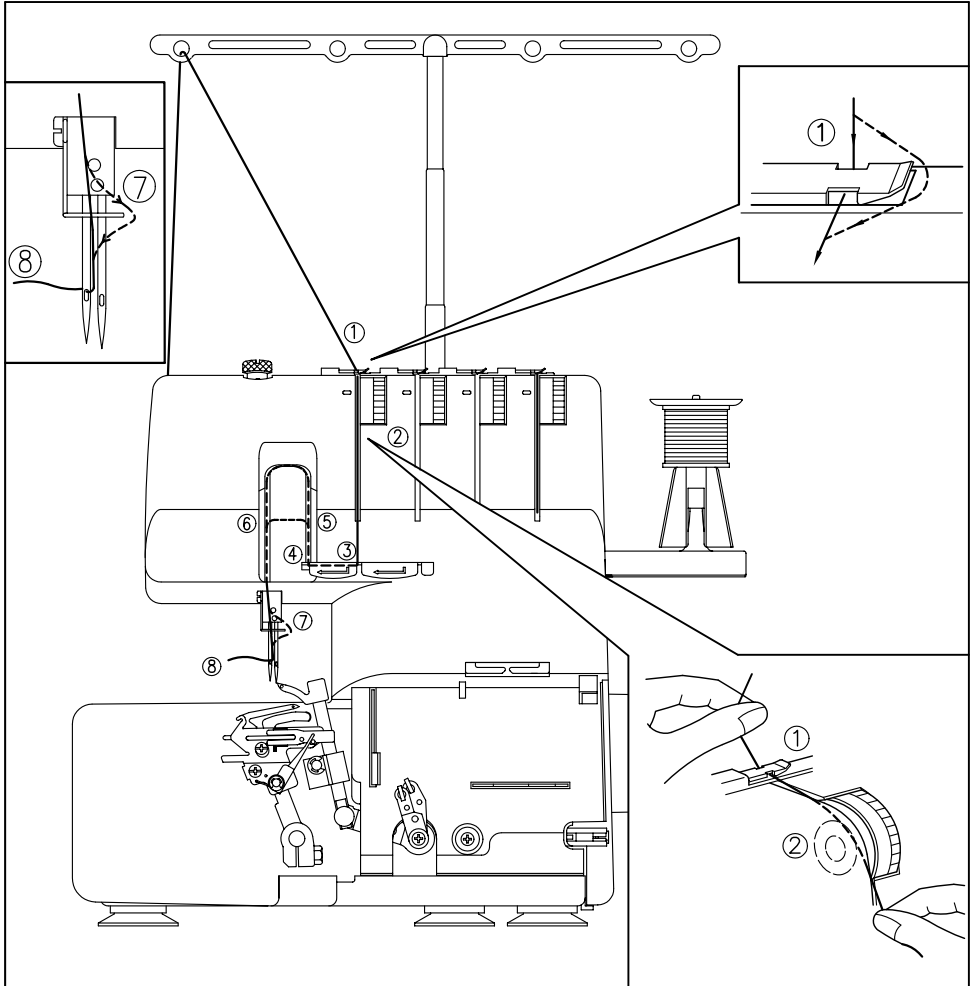
③ Thread guide slide

④ Lower looper



How to thread the left needle

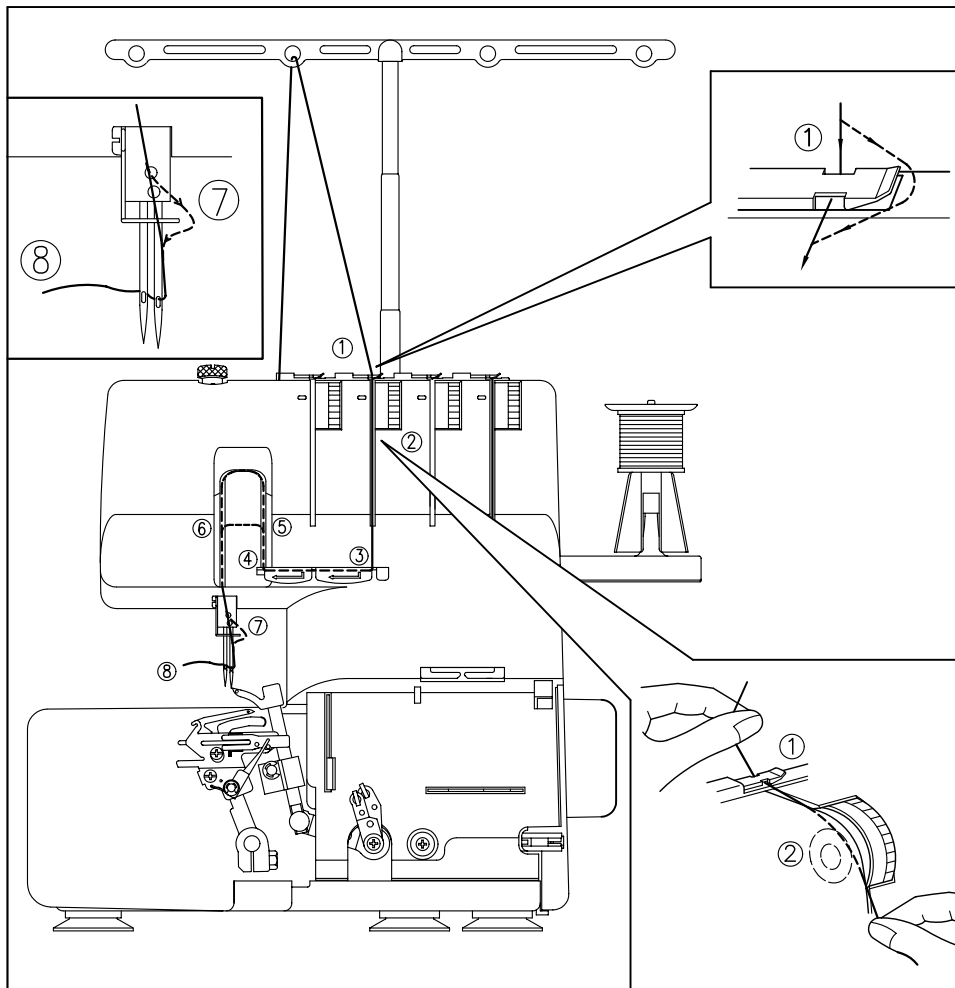
See the figure, Thread the left needle as indicated ①~⑧.



- 1 Pull out the thread from the thread spool. Thread the guide hole of the thread tree from the back to front.
- 2 Correctly thread the Thread Guide ①.
- 3 Lead the thread into the groove, and let the thread pass the tension disc of the tension adjustment dial ②.
- 4 Continue to thread points ③~⑤.
- 5 When the thread goes through No. ⑥, lead the thread down so as to pass the Thread Guide ⑦. Then, thread the left needle ⑧.

How to thread the right needle

See the figure, Thread the right needle as indicated ①~⑧.



- 1 Pull out the thread from the thread spool. Thread the guide hole of the thread tree from the back to front.
- 2 Correctly thread the Thread Guide ①.
- 3 Lead the thread into the groove, and let the thread pass the tension disc of the tension adjustment dial ②.
- 4 Continue to thread points ③~⑤.
- 5 When the thread goes through No. ⑥, lead the thread down so as to pass the Thread Guide ⑦. Then, thread the right needle ⑧.

* Take all thread ends under the presser foot and lower presser foot to secure threads.

Comparison Chart of Sewing Materials, Threads and Needles

Material	Stitch	Stitch Length (mm)	Thread	Needle
Light materials Crepe de chine Georgette Lino Organdy Tricot	Overlock stitch	2.0 ~ 3.0	Spun: #80 Cotton: #80.100 Silk: #80.100	HAx1 #70 #80
Light materials Crepe de chine Georgette Lawn Organdy	Narrow / rolled Hem stitch	Smaller than 2.0	Needle thread Polyester: #80 Nylon: #80 Looper thread Polyester: #80 Nylon: #80 Woolly nylon thread	HAx1 #70 #80
Medium materials Poplin Gingham Seersucker Gabardine Serge Knitted	Overlock stitch	2.5 ~ 3.5	Spun: #60.80 Cotton: #60.80 Silk: #50.80 Nylon: #50.80 Polyester: #50.80	HAx1 #80 #90
Heavy materials Cashmere Tweed Denim Jersey	Overlock stitch	3.0 ~ 4.0	Cotton: #40.60 Silk: #40.60 Nylon: #30.60 Polyester: #30.60	HAx1 #90

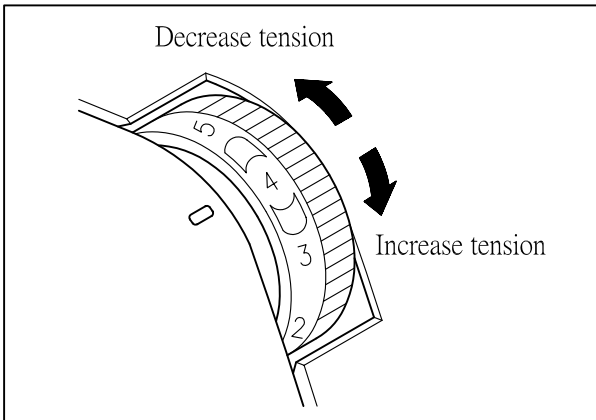
NOTE:

Decorative thread will work best in the upper looper for fashion sewing.

Adjusting the thread tension

Turning tension dial to a higher number gives a tighter thread tension. Turning tension dial to a lower number gives a looser thread tension. The higher the number, the tighter the tension.

Test each thread tension on a scrap of the fabric you plan to use.



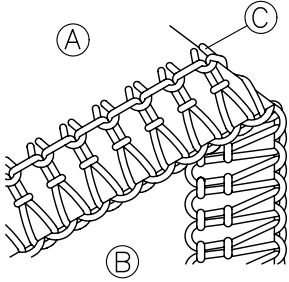
Tension control

Sewing is possible at position "4" for most circumstances.

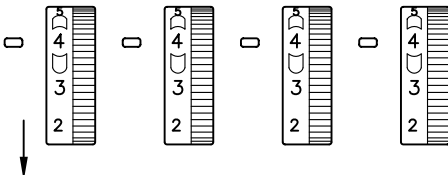
- (1) To select the correct tension, refer to the illustration on the previous page.
- (2) If you cannot find the correct tension, refer to the illustrations "In this case" on following pages.

Chart of Tension Adjustment

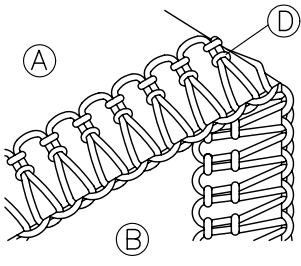
- A Reverse
- B Surface
- C Left needle thread
- D Right needle thread
- E Upper looper thread
- F Lower looper thread



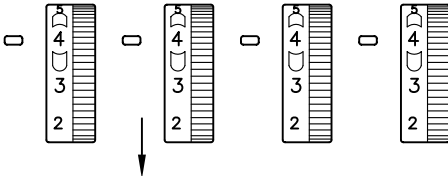
Left needle thread is loose.



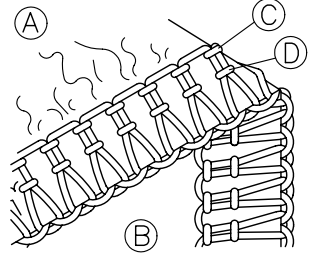
Tighten left needle thread.



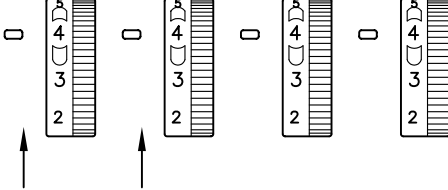
Right needle thread is loose.



Tighten right needle thread.



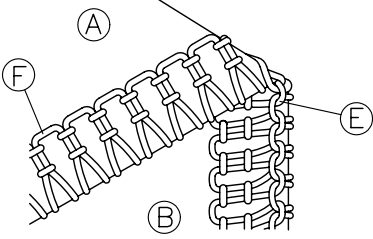
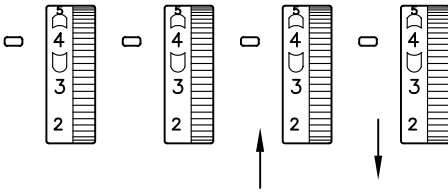
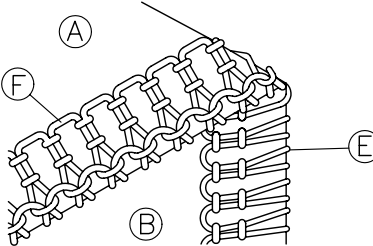
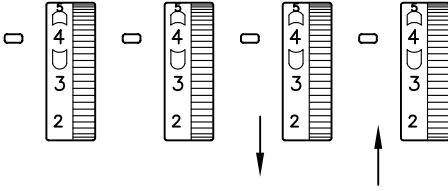
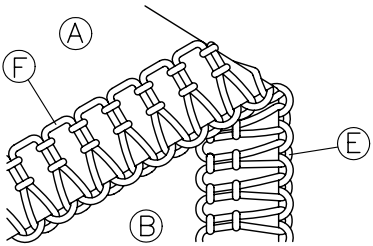
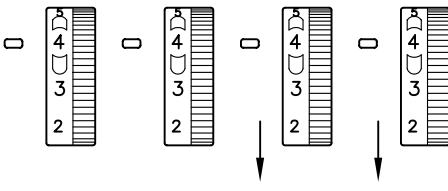
Left needle thread is tight.
Right needle thread is tight.



Loosen left needle thread.
Loosen right needle thread.

Chart of Tension Adjustment

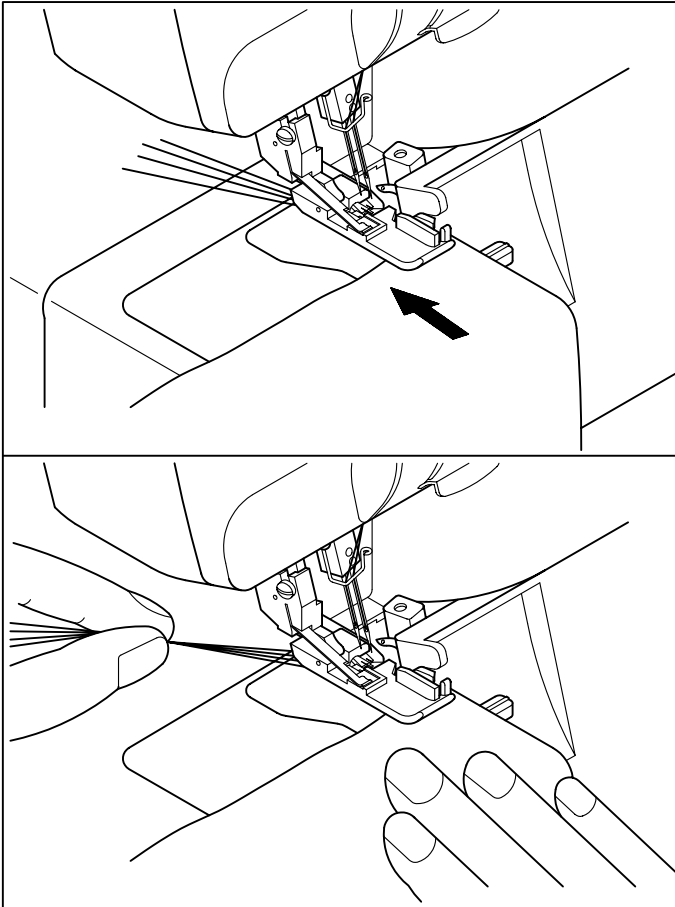
- A Reverse
- B Surface
- C Left needle thread
- D Right needle thread
- E Upper looper thread
- F Lower looper thread

 <p>Upper looper thread is tight. Lower looper thread is loose.</p>	 <p>Loosen upper looper thread. Tighten lower looper thread.</p>
 <p>Upper looper thread is loose. Lower looper thread is tight.</p>	 <p>Tighten upper looper thread. Loosen lower looper thread.</p>
 <p>Upper looper thread is loose. Lower looper thread is loose.</p>	 <p>Tighten upper looper thread. Tighten lower looper thread.</p>

Sewing test

Start the sewing test after the threading is completed.

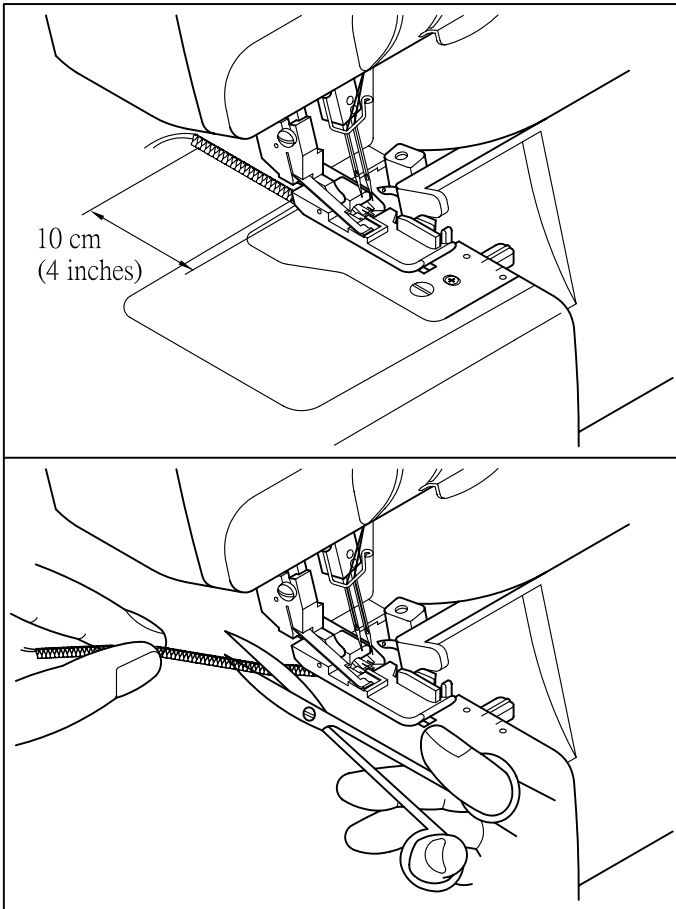
- (1) Raise the presser foot. Place a piece of waste cloth under the presser foot.
Lower the presser foot. Start to sew. While the machine is sewing, do not raise the presser foot, or the sewing will be uneven.
- (2) Before you operate the foot controller, use your left hand to hold the thread gently, and use your right hand to turn the hand wheel counter clockwise. At the same time, check the sewing status.
- (3) Operate the foot controller gently.



How to sew a chain pattern

After the sewing test is completed, keep on pressing on the foot controller gently until the chain is 10 cm (4 inches) approx. Then, the thread will become a chain pattern automatically.

- * If the tension is uneven, the chain pattern will not be even. If such event happens, please hold the thread gently, and verify the threading order, and also adjust the thread tension. Then, the chain pattern will be even.

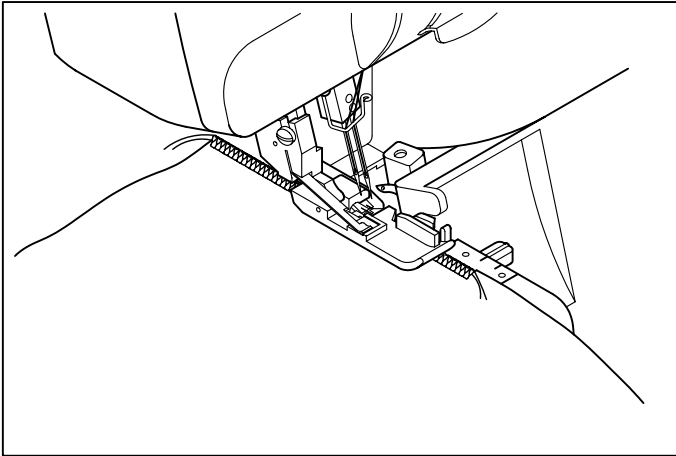


If threads break during sewing

* If the thread breaks during the sewing, please remove the cloth. Thread the needle in the correct threading order. Thread the upper looper, lower looper and the right needle. Then, thread the left needle. Place the cloth to a position where is 3-5 cm in front from the thread broken place. Proceed with the sewing.

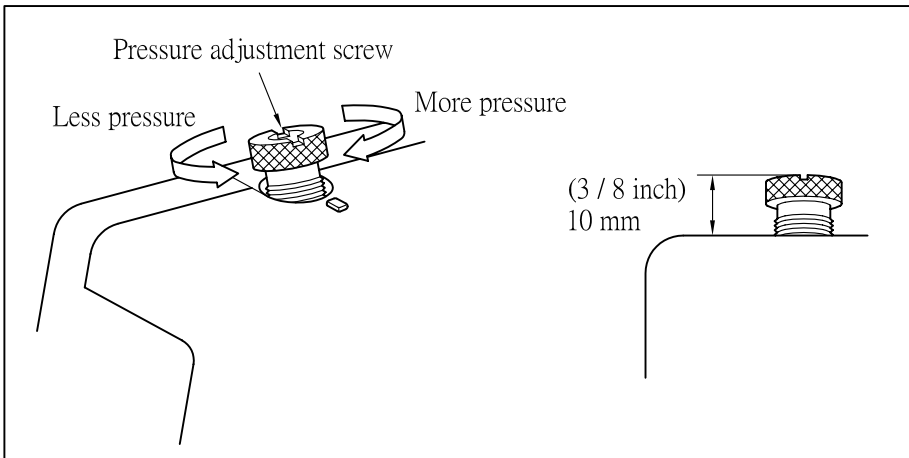
NOTE :

Do not pull on the fabric while sewing as this may deflect the needle, causing it to break.



How to adjust the presser foot pressure

- * The pressure foot pressure of the machine is readjusted for sewing medium weight fabrics.
- * It may be necessary to adjust the pressure to sew different weights of fabrics by turning the pressure regulating screw.
For light weight fabric-decrease pressure.
For heavy weight fabric-increase pressure.



Elementary troubleshooting

Trouble	Cause	Remedy
Unable to feed cloth	The presser foot has An insufficient pressure.	Turn the pressure knurl clockwise to increase pressure.
The needle breaks.	<ol style="list-style-type: none"> 1. The needle is bent, or The needle point Becomes dull. 2. The needle is installed Incorrectly. 3. Pull the cloth Incorrectly. 	<ol style="list-style-type: none"> 1. Replace the needle for a new one. 2. Re-install the needle correctly. 3. Hold down the cloth gently.
The thread breaks.	<ol style="list-style-type: none"> 1. Thread the needle Incorrectly. 2. The thread tangles. 3. The thread tension is too tight. 4. The needle is installed Incorrectly. 5. Use an unsuitable needle 	<ol style="list-style-type: none"> 1. Re-thread the needle correctly. 2. Check the thread spool post, thread tree and others, and remove the tangled threads. 3. Adjust thread tension. 4. Re-install the needle correctly. 5. Use a suitable needle.
Skipped stitches	<ol style="list-style-type: none"> 1. The needle is bent, or the needle point becomes dull. 2. The needle is installed incorrectly. 3. Use an unsuitable needle. 4. Thread the needle incorrectly. 5. The presser foot has an insufficient pressure. 	<ol style="list-style-type: none"> 1. Replace the needle for a new one. 2. Re-install the needle correctly. 3. Use a suitable needle. 4. Re-thread the needle correctly. 5. Turn the pressure knurl clockwise to increase the pressure.
Bad stitches	The thread tension is not adjusted.	Adjust the thread tension.
The cloth wrinkles.	<ol style="list-style-type: none"> 1. The thread tension is too tight. 2. Thread the needle incorrectly, or the thread tangles. 	<ol style="list-style-type: none"> 1. Reduce the thread tension when you sew light or thin cloth. 2. Remove all the tangled threads, and re-thread the needle correctly.

Narrow and Rolled hem

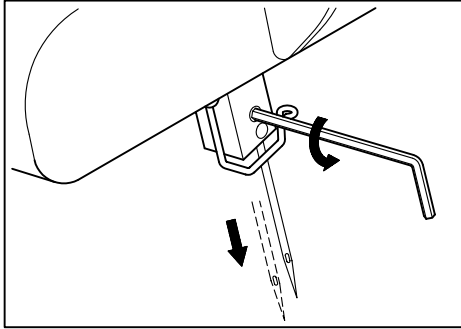
Narrow and rolled edge is ideal for use on thin materials such as georgette crepe, crepe de chine, silk etc.

(1) Raise the presser foot.

(2) Remove the left needle (on Two-needle models)

Thread the machine for a three thread overlock, using the right needle.

(3) Remove the stitch finger lever to the position of "R".



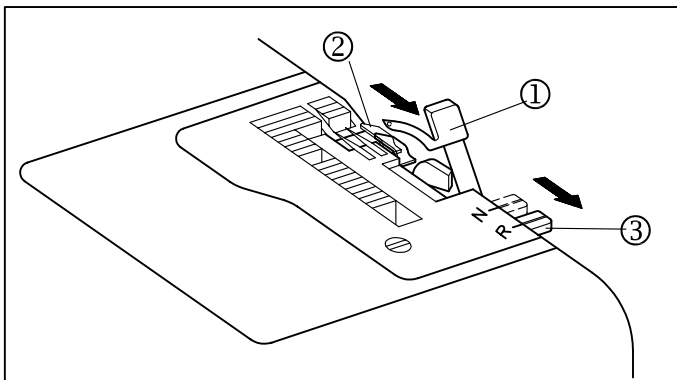
NOTE:

Make sure to install stitch finger when sewing regular overlock stitches.

① Upper looper

② Stitch finger

③ Stitch finger lever

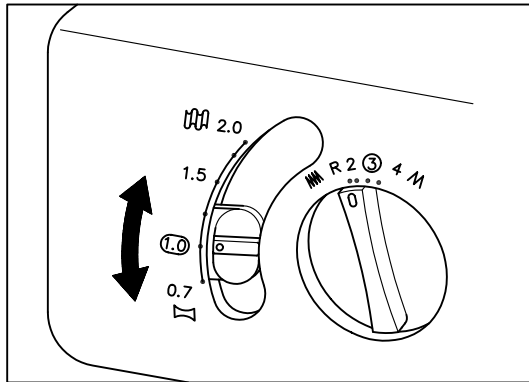
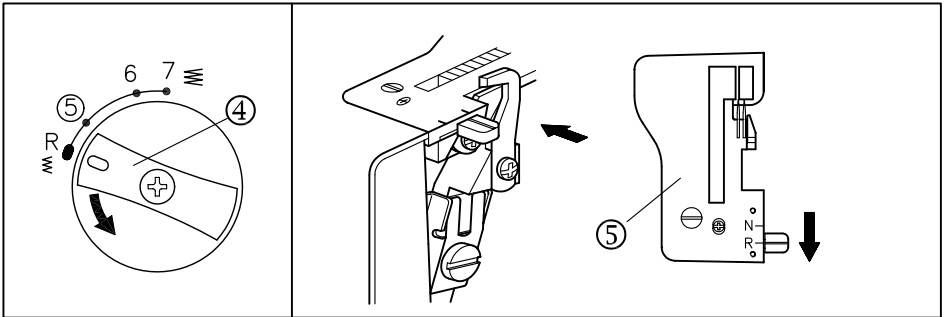


(4) Adjust the stitch width for rolled hemming.

Move the stitch width lever located next to the front cover all the way up to the "R" position.

④ Stitch width lever

⑤ Needle plate with stitch finger removed



(5) Set the stitch length adjustment lever to "R" position as shown in the illustration.

Rolled edge stitch

Adjust your machine to these recommended thread tension settings:

- * Right needle thread tension at 3-5
- * Upper looper thread tension at 4-6
- * Lower looper thread tension at 5-7

Tension may vary slightly according to the fabric and thread used.

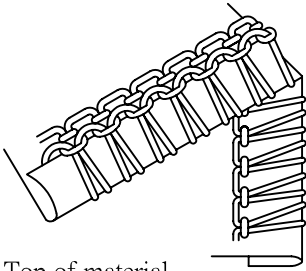
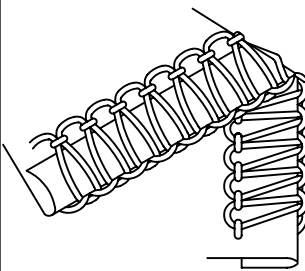
Narrow overlock edge

Adjust your machine to these recommended thread tension settings:

- * Right needle thread tension at 4-6
- * Upper looper thread tension at 4-6
- * Lower looper thread tension at 3-5

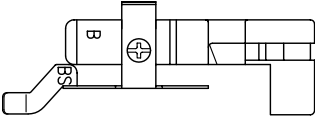
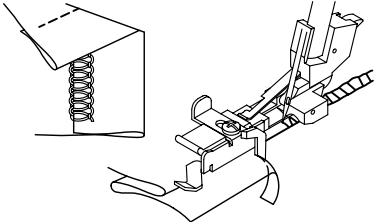
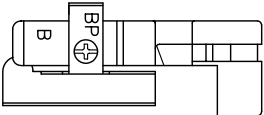
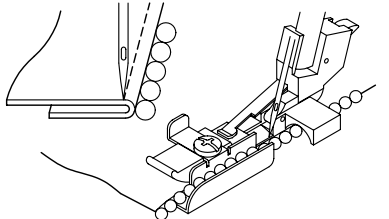
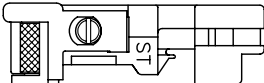
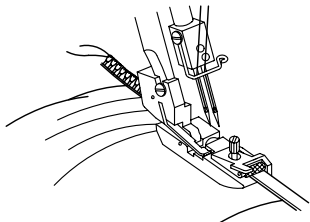
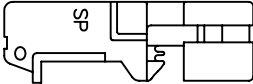
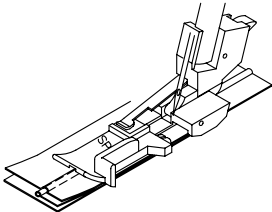
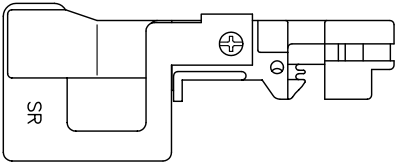
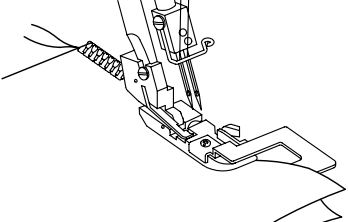
Tension may vary slightly according to the fabric and thread used.

Chart of Narrow Rolled hem

	Rolled edge stitch	Narrow overlock stitch
Stitch Style	Underside of material  Top of material	Underside of material 
Fabrics	Light material Crepe de chine Georgette Lawn Organdie	Light material Crepe de chine Georgette Lawn Organdie
Needle thread	Nylon thread #80 Polyester thread #80	Nylon thread #80 Polyester thread #80
Upper looper thread	Wooly nylon thread Decorative thread	Wooly nylon thread Nylon thread #80 Polyester thread #80
Lower looper thread	Nylon thread #80 Polyester thread #80	Nylon thread #80 Polyester thread #80
Stitch Length	R	R
Stitch Width	R.5 (Two-needle models)	R.5 (Two-needle models)
Stitch Finger	Removed	Removed
Thread Tension		
Needle Thread	4 (3-5)	5 (4-6)
Upper looper Thread	4 (4-6)	5 (4-6)
Lower looper Thread	6 (5-7)	4 (3-5)

Other special purpose presser feet that are available

- (1) Blind / Flatlock foot
- (2) Bead / Sequin foot
- (3) Elasticator foot
- (4) Piping presser foot
- (5) Shirring foot

<p>(1)</p> 	
<p>(2)</p> 	
<p>(3)</p> 	
<p>(4)</p> 	
<p>(5)</p> 	

How to replace the knife

The stationary knife should be changed when it becomes dull.

Danger : Before replacing the knife, disconnect power line plug from the wall receptacle.

Replacing the upper knife

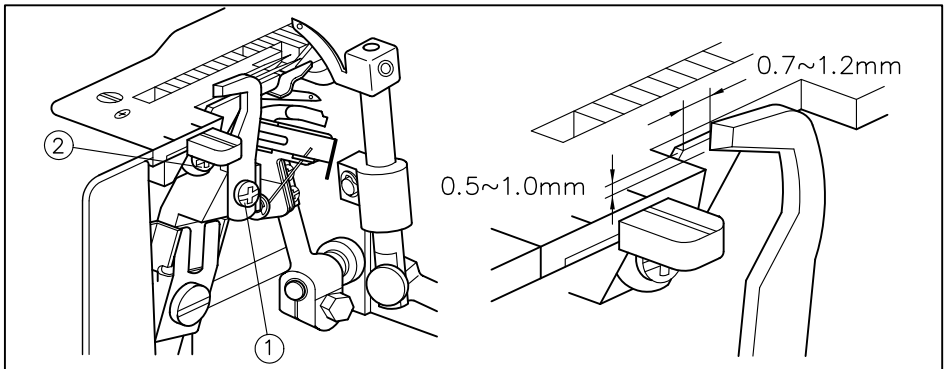
- * Open the front cover and set the upper knife in the highest position.
- * Loose the upper knife set screw and pull up the upper knife.
- * Insert the new knife into the upper knife holder.
- * Tighten the upper knife set screw.

ENSURING THAT THE EDGE OF THE UPPER KNIFE IS APPROXIMATELY 0.5~1.0 MM BELOW THE SURFACE OF THE LOWER KNIFE.

Replacing the lower knife

- * Loose the lower knife set screw and pull down the lower knife.
- * Insert the new knife into the lower knife holder.
- * Position the lower knife so that its edge is flush with the needle plate.
- * Tighten the lower knife set screw.

① Upper knife set screw ② Upper knife set screw



Cleaning and oiling

To keep the machine running smoothly, keep it clean and lubricated at all times.

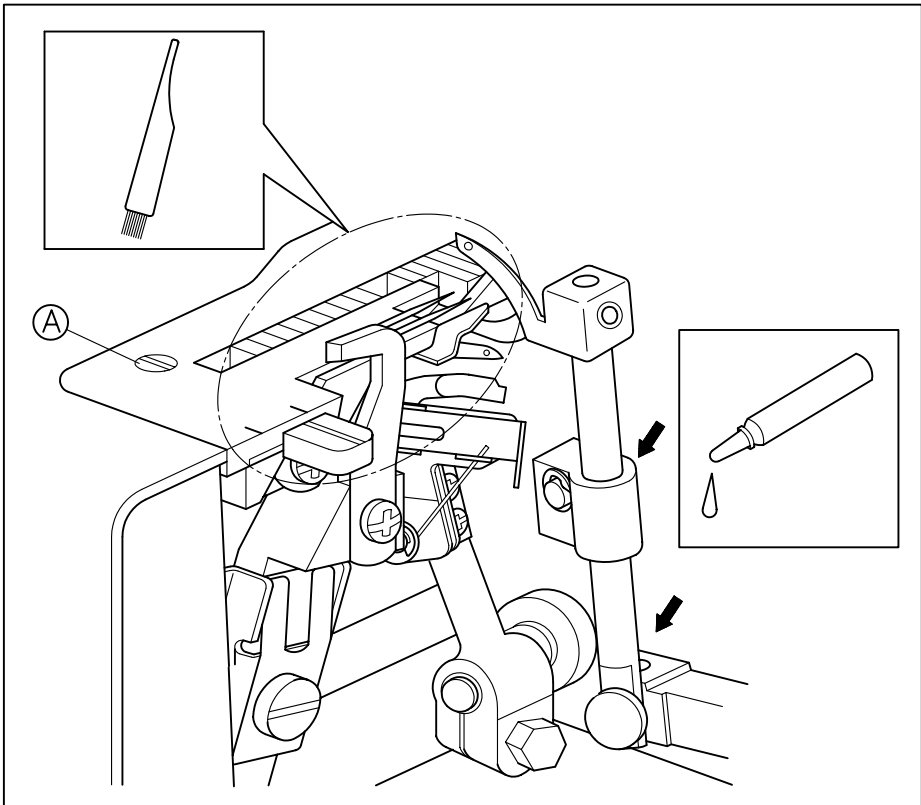
FIRST DISCONNECT MACHINE FROM POWER SUPPLY BY REMOVING PLUG FROM SOCKET-OUTLET.

1. Open the front cover.
2. Apply a few drops of oil to the points indicated by arrows.

ALWAYS USE A GOOD QUALITY SEWING MACHINE OIL. IF THE MACHINE IS USED MORE OFTEN, OIL IT ONCE A WEEK.

CLEAN

- 1 The interior of needle plate should be cleaned by brush.
- 2 Loose the screw of A . Then take off the needle plate.



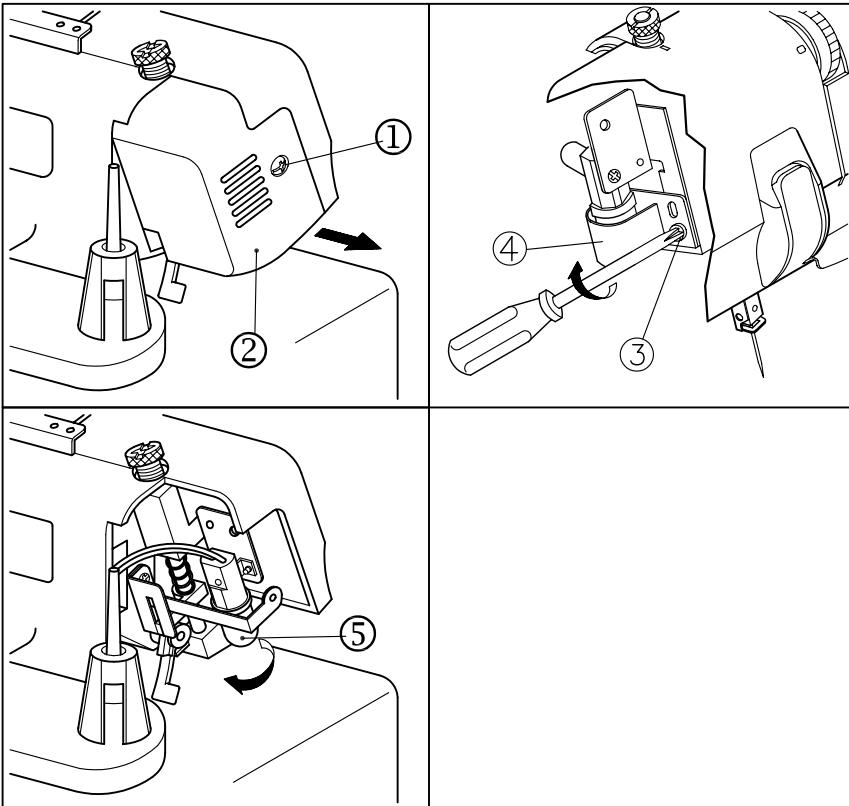
Replacing light bulb

Disconnect from power supply before removing lamp cover.

Changing the light bulb.

- * Loosen the lamp cover set screw ① remove the lamp cover ② as shown in the illustration.
- * Loosen the light bulb cover set screw ③ pull up the light bulb cover ④ and remove it.
- * Take out the light bulb ⑤ and replace it with a new one.

- ① Screw
- ② Lamp cover
- ③ Screw
- ④ Light bulb cover
- ⑤ Light bulb



Machine Specifications

Use

Light-to heavy-weight materials

Sewing speed

1,200 stitches per minute

Stitch length (pitch)

1.1 mm to 4 mm

Stitch width

2.3 mm to 7.0 mm

Presser foot

Free presser type

Presser foot lift

5 mm to 6 mm (3 / 16 to 15 / 64 inch)

Needle bar stroke

25 mm (1 inch)

Needle

HAX1 (130 / 705H)

No. of needles and threads

Three / Four threads convertible

Two needles or single needle

Machine net weight

7.0 kgs.

Needle set HAX1

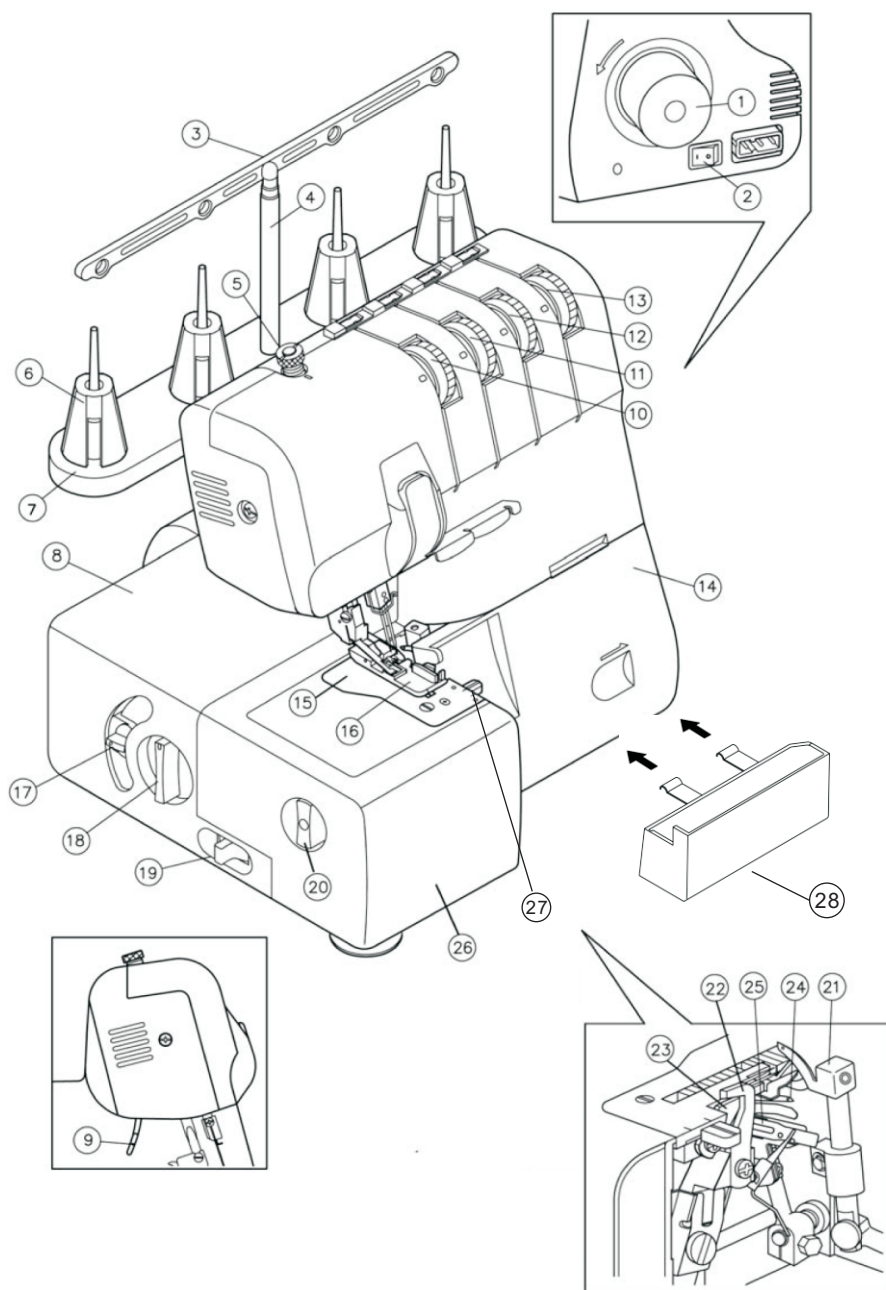
#80 (2)

#90 (2)

ОГЛАВЛЕНИЕ

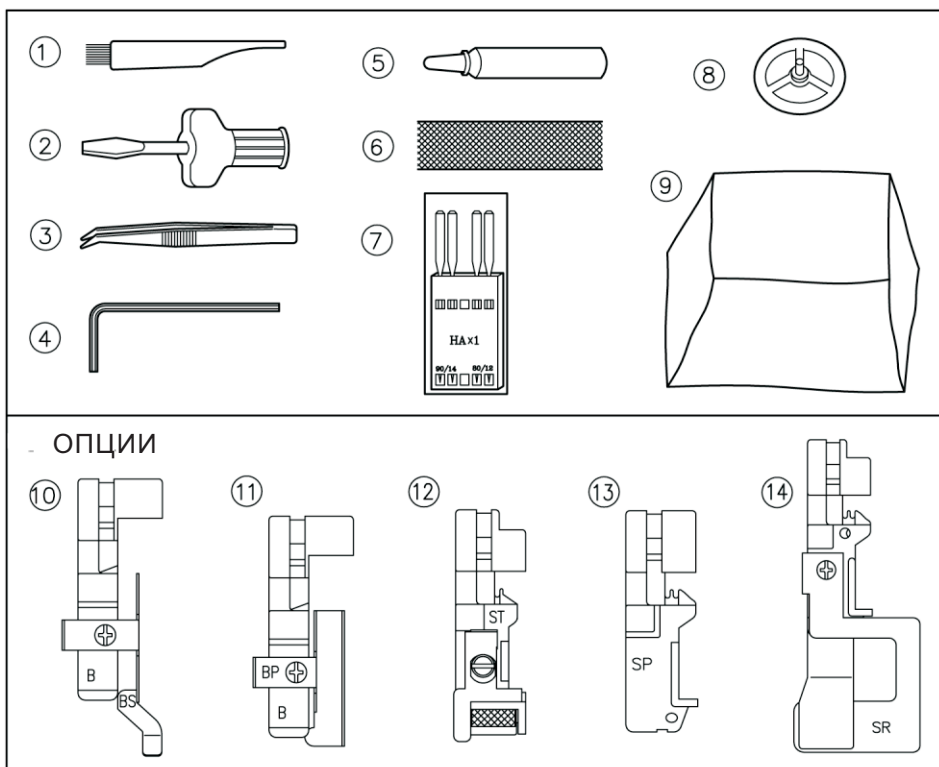
Наименование деталей и их применение.....	34
Аксессуары.....	35
Замена иглы.....	36
Открывание и закрывание лицевой крышки.....	36
Начало работы.....	37
Снятие платформы-приставки с использованием функции «Свободный рукав».....	37
Инструкция по использованию дифференциальной подачи ткани.....	38
Как использовать колпачок катушки с нитью.....	39
Как использовать сетку для катушки с нитью.....	39
Заправка нити в верхний петлитель.....	40
Заправка нити в нижний петлитель.....	41
Заправка нити с помощью автоматического нитезаправщика.....	42
Заправка нити в левую иглу.....	43
Заправка нити в правую иглу.....	44
Сравнительная таблица материалов, нитей и игл.....	45
Натяжение нитей.....	46
Таблица настройки натяжения нити.....	47
Пробное шитье.....	47
Пробная строчка.....	48
Разрыв нити во время шитья.....	48
Давление прижимной лапки.....	49
Поиск и устранение неисправностей.....	50
Узкая обметочная строчка/строчка с подогнутым краем.....	51
Таблица узких обметочных строчек/строчек с подогнутым краем.....	52
Замена ножей.....	53
Смазка.....	53
Замена лампочки подсветки.....	54
Технические данные машины.....	55

НАИМЕНОВАНИЕ ДЕТАЛЕЙ И ИХ ПРИМЕНЕНИЕ



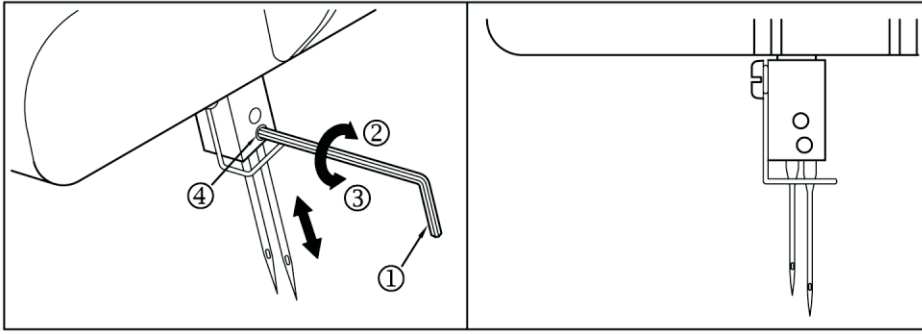
1. Маховик
2. Выключатель питания и лампочки подсветки
3. Стойка с нитенаправителями
4. Подставка для катушек (штатив стойки с нитенаправителем)
5. Винт настройки давления прижимной лапки
6. Стержень для установки катушки
7. Подставка для катушки
8. Крышка столика для материала
9. Рычаг подъема прижимной лапки
10. Регулятор натяжения нити в левой игле
11. Регулятор натяжения нити в правой игле
12. Регулятор натяжения нити в верхнем петлителе
13. Регулятор натяжения нити в нижнем петлителе
14. Лицевая крышка
15. Игольная пластина
16. Прижимная лапка
17. Регулятор дифференциальной подачи материала
18. Регулятор настройки длины стежка
19. Рычаг отключения ножа для обрезки.
20. Регулятор ширины строчки
21. Верхний петлитель
22. Верхний нож
23. Нижний нож
24. Нижний петлитель
25. Рычажок устройства заправки нити в нижний петлитель
26. Платформа-приставка
27. Штифт регулировки стежка
28. Контейнер для сбора обрезков

АКСЕССУАРЫ



1. Щеточка для чистки
2. Отвертка
3. Пинцет
4. Шестигранный ключ
5. Масленка
6. Сетка для катушки с нитью
7. Набор игл
8. Колпачок катушки
9. Чехол
10. Лапка для потайной строчки (дополнительно)
11. Лапка для вышивания бисера (дополнительно)
12. Лапка для эластичной бейки (дополнительно)
13. Дапка для окантовывания (дополнительно)
15. Лапка для сборок (дополнительно)

ЗАМЕНА ИГЛЫ



Данная машина использует стандартные иглы для бытовых машин.

Для снятия иглы

Переведите сетевой выключатель в положение OFF (ВЫКЛ)

Поднимите иглу в крайнее верхнее положение, повернув маховик рукой против часовой стрелки.

Шестигранным ключом ослабьте затяжку установочного винта иглы и извлеките иглу.

Для установки иглы

Переведите сетевой выключатель в положение OFF (ВЫКЛ)

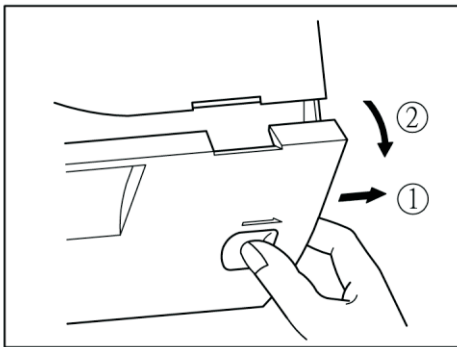
Поднимите игловодитель в крайнее верхнее положение, повернув маховик.

Удерживая иглу плоской стороной от себя, вставьте иглу вверх до упора.

Шестигранным ключом затяните как следует установочный винт иглы.

- (1) Шестигранный ключ
- (2) Ввинчивание
- (3) Вывинчивание
- (4) Установочный винт иглы.

ОТКРЫВАНИЕ И ЗАКРЫВАНИЕ ЛИЦЕВОЙ КРЫШКИ

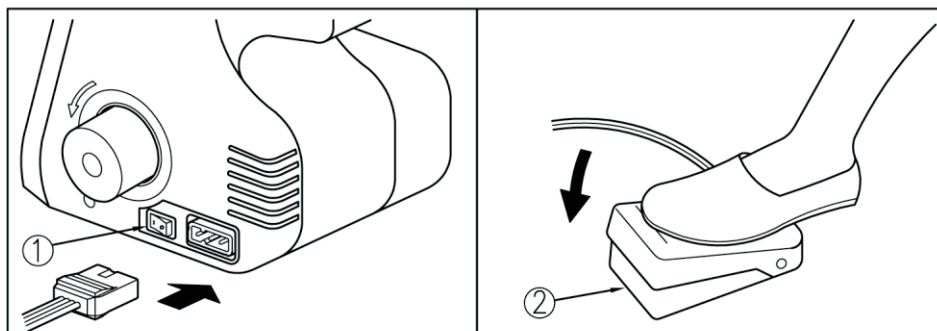


Для заправки нити в данную машину необходимо открыть лицевую крышку.

Примечание. В целях безопасности убедитесь, что лицевая крышка во время использования машины закрыта.

При открытой крышке срабатывает выключатель и машину невозможно запустить.

НАЧАЛО РАБОТЫ



Подготовка

Вставьте трехконтактный разъем сетевого шнура в гнездо, расположенное в нижней правой части машины. Вставьте вилку сетевого шнура в розетку электросети.

Выключатель питания и лампочки подсветки

Этот выключатель служит для включения машины и лампочки подсветки. Для включения нажмите сторону с символом «1». Для выключения нажмите сторону с символом «0»

(1) выключатель питания и лампочки подсветки.

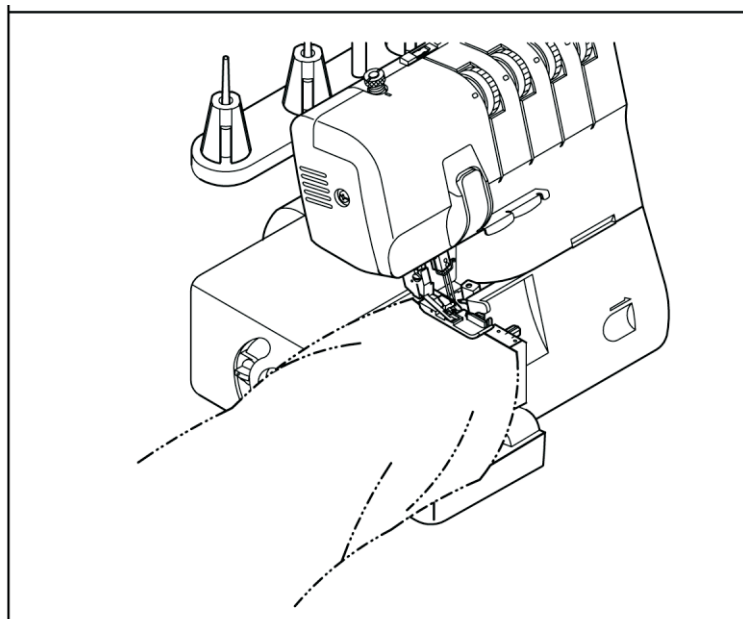
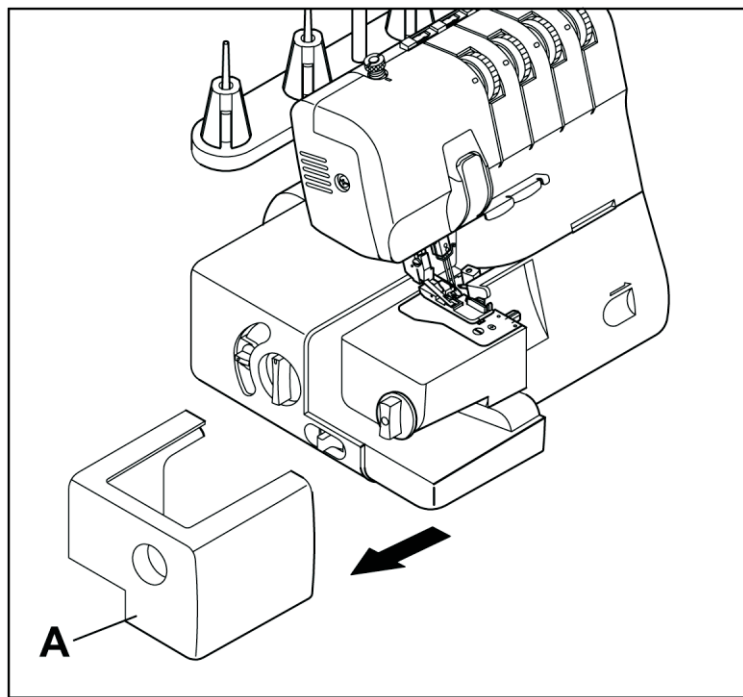
Управление

Если педаль слегка нажата, машина работает на малой скорости. При дальнейшем нажатии на педаль машина увеличивает скорость. Если педаль отпущена, машина останавливается.

(2) Педаль

СНЯТИЕ ПЛАТФОРМЫ-ПРИСТАВКИ С ИСПОЛЬЗОВАНИЕМ ФУНКЦИИ «СВОБОДНЫЙ РУКАВ»

Функция «свободный рукав» облегчает шитье цилиндрических деталей. Для использования функции «свободный рукав» снимите платформу-приставку и расположите ткань, как показано на рисунке.

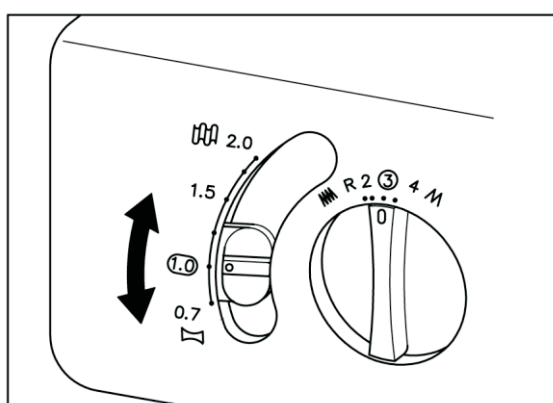


ИНСТРУКЦИЯ ПО ИСПОЛЬЗОВАНИЮ ДИФФЕРЕНЦИАЛЬНОЙ ПОДАЧИ ТКАНИ

Данная машина оснащена двумя гребенками транспортера ткани под прижимной лапкой, предназначенными для подачи ткани через машину. Регулятор дифференциальной подачи управляет движением как задних, так и передних гребенок транспортера. При установке регулятора в положение 1 гребенки транспортеров двигаются с одинаковой скоростью (отношение 1 к 1). При установке регулятора в положение меньше 1 передние гребенки двигаются медленнее, чем задние, растягивая ткань во время шитья. Это эффективно при шитье легкой ткани, которая может сморщиваться. При установке регулятора в положение больше 1 передние гребенки двигаются быстрее, чем задние, собирая ткань во время шитья. Эта функция удаляет волнистость при обметывании эластичной ткани.

Для настройки дифференциальной подачи ткани:

- (1) Найдите регулятор дифференциальной подачи ткани на левой стороне машины.
- (2) Обычная установка регулятора дифференциальной подачи ткани - 1,0
- (3) Для установки значения меньше 1,0 передвиньте регулятор к задней стороне машины.
- (4) Для установки значения больше 1,0 передвиньте регулятор к передней стороне машины.

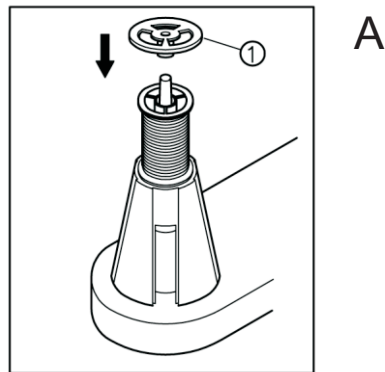


Эффект	Применение	Гребенки главного транспортера (заднего)	Гребенки дифференциального транспортера (переднего)	Установка регулятора дифференциальной подачи ткани
Материал натягивается	Предотвращает сморщивание ткани			1.0-2.0
Материал натягивается Без дифференциальной подачи	Нормальное шитье			1.0
Материал собирается или проталкивается	Предотвращает растяжение и сморщивание ткани			0.7-1.0

КАК ИСПОЛЬЗОВАТЬ КОЛПАЧОК КАТУШКИ С НИТЬЮ

При использовании катушек с нитью необходимо применять колпачок катушки, как показано на рисунке (А)
Убедитесь, что прорез катушки находится внизу.

(1) Колпачок катушки

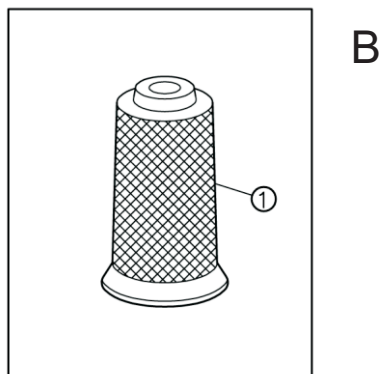


КАК ИСПОЛЬЗОВАТЬ СЕТКУ ДЛЯ КАТУШКИ С НИТЬЮ

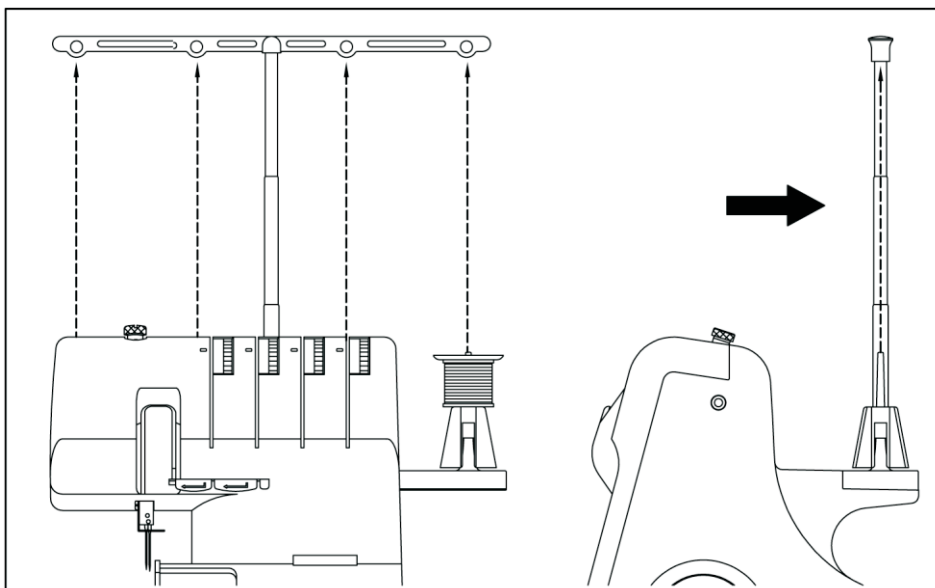
При использовании свободно намотанной скрученной нейлованной нити рекомендуется закрыть катушку сеткой, входящей в комплект поставки, чтобы предотвратить соскальзывание нити с катушки.

Подберите сетку по форме катушки (В)

(1) Сетка

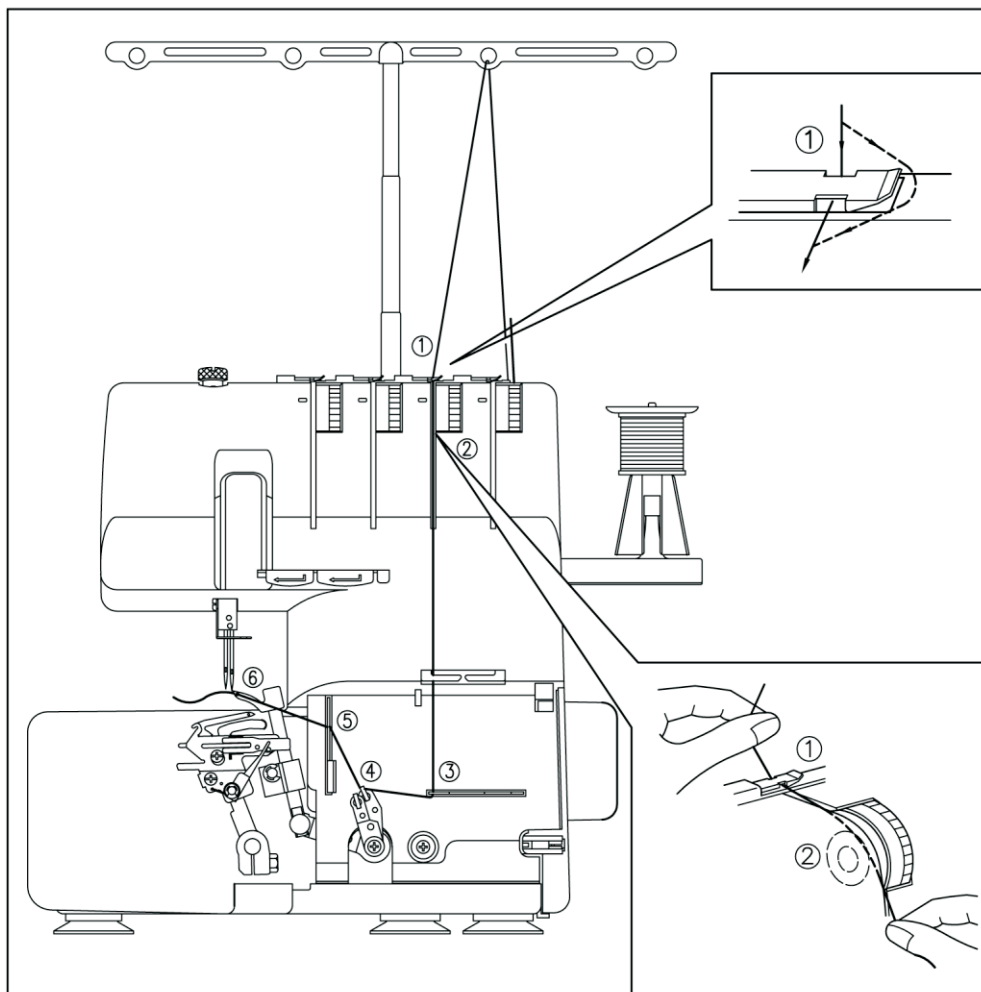


Нить катушек должна сматываться строго в вертикальном направлении.



ЗАПРАВКА НИТИ В ВЕРХНИЙ ПЕТЛИТЕЛЬ

Пропустите нить в последовательности, показанной на рисунке, следуя вдоль линии, указанной номерами.



- (1) Откройте лицевую крышку, сдвинув ее вправо и потянув верх крышки на себя
- (2) Протяните нить с катушки через нитеправитель на стойке в направлении от задней стороны к передней.
- (3) Вытяните еще примерно 15см нити с лицевой стороны стойки
- (4) Пропустите нить через нужный нитенаправитель
- (5) Пропустите нить через натяжной шкив, расположенный в выемке рядом с регулятором натяжения нити.
- (6) Пропустите нить через выемку в направлении вниз, следуя через узлы заправки, в последовательности указанной цифрами на рисунке.

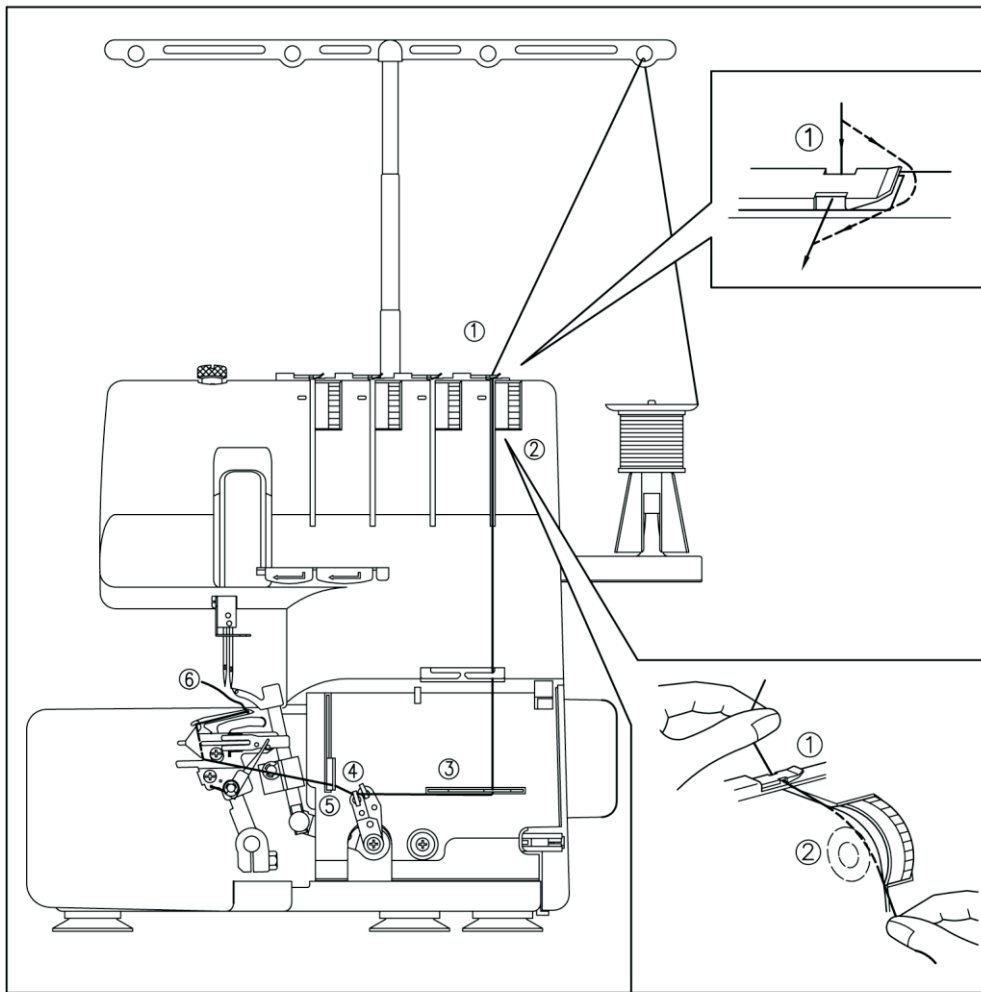
Примечание

В случае обрыва нити во время шитья в верхнем петлителе.

Нить нижнего петлителя могла зацепиться за верхний петлитель. В этом случае опустите верхний петлитель, повернув маховик, снимите нить нижнего петлителя заправьте верхний петлитель заново, начиная с натяжного шкива.

ЗАПРАВКА НИТИ В НИЖНИЙ ПЕТЛИТЕЛЬ

Пропустите нить в последовательности, показанной на рисунке, следуя в соответствии с номерами у каждого угла заправки



(1) Откройте лицевую крышку, сдвинув ее вправо и потянув верх крышки на себя.

(2) Протяните нить с катушки через нитенаправитель на стойке в направлении от задней стороны к передней.

(3) Вытяните еще примерно 15см нити с лицевой стороны стойки.

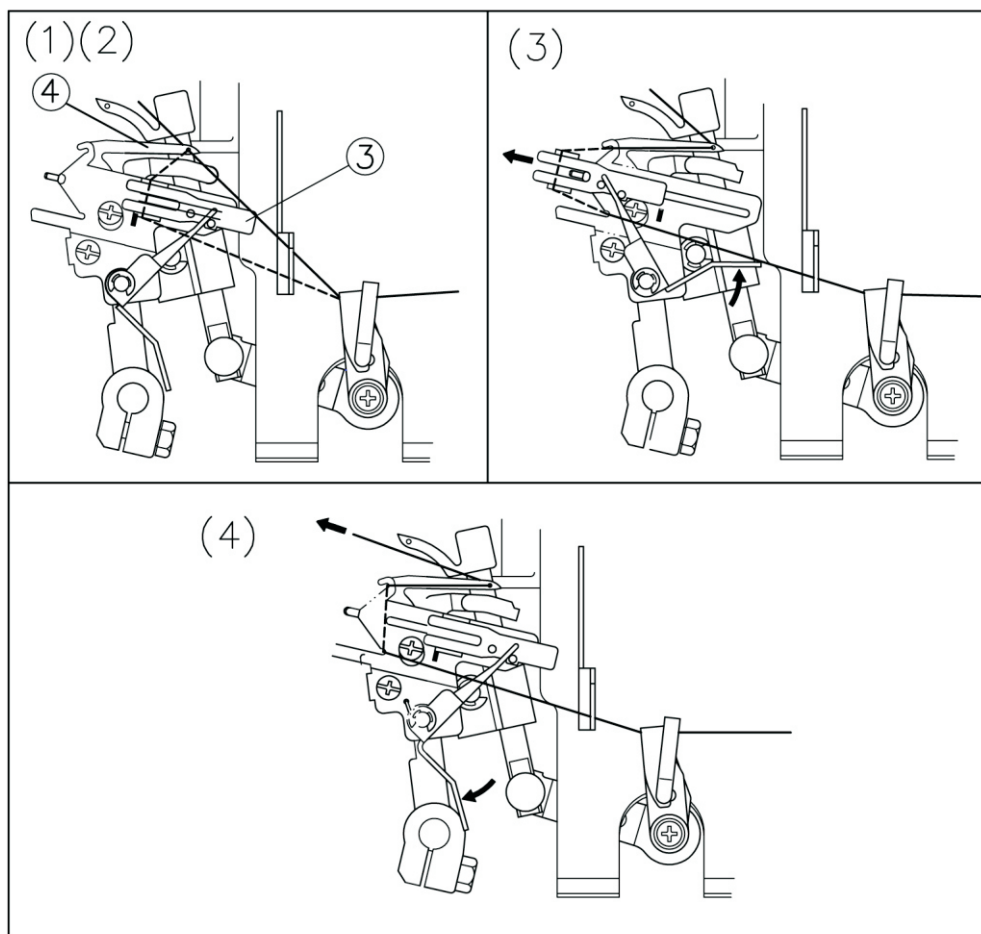
(4) Пропустите нить через нужный нитенаправитель.

(5) Пропустите нить через натяжной шкив, расположенный в выемке рядом с регулятором натяжения нити.

(6) Пропустите нить через выемку в направлении вниз, следуя через углы заправки, в последовательности, указанной цифрами на рисунке, вплоть до рычажка устройства заправки нити в нижний петлитель.

Продолжение на следующей странице

ЗАПРАВКА НИТИ С ПОМОЩЬЮ АВТОМАТИЧЕСКОГО НИТЕЗАПРАВЩИКА



Автоматический нитезаправщик помогает заправить нить нижнего петлителя.

1. проденьте нить через отверстие нижнего петлителя (4)
2. Наденьте нить на два крючка нитезаправщика (3)
3. Поднимите рычаг нитезаправщика (3) до упора вверх
4. Опустите рычаг нитезаправщика и вытяните нить на 15см. не позволяйте нитям петлителей запутываться между собой.

на рисунке 3 - нитезаправщик с крючком\
4 - нижний петлитель.

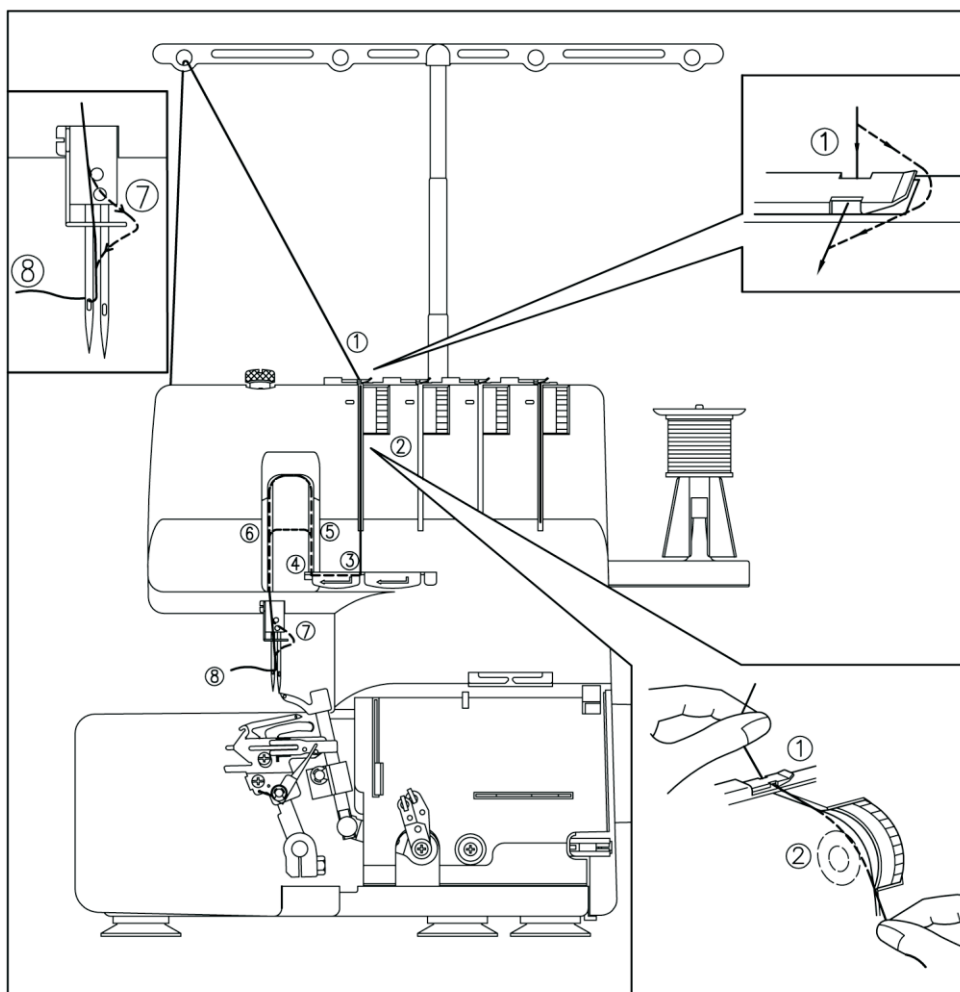
Внимание

Заправляйте нить иглы только после заправки верхнего и нижнего петлителей.

Двигайте рычажок устройства заправки только в направлениях, указанных стрелками. Перемещение рычажка с усилием в любом другом направлении может повредить его.

ЗАПРАВКА НИТИ В ЛЕВУЮ ИГЛУ

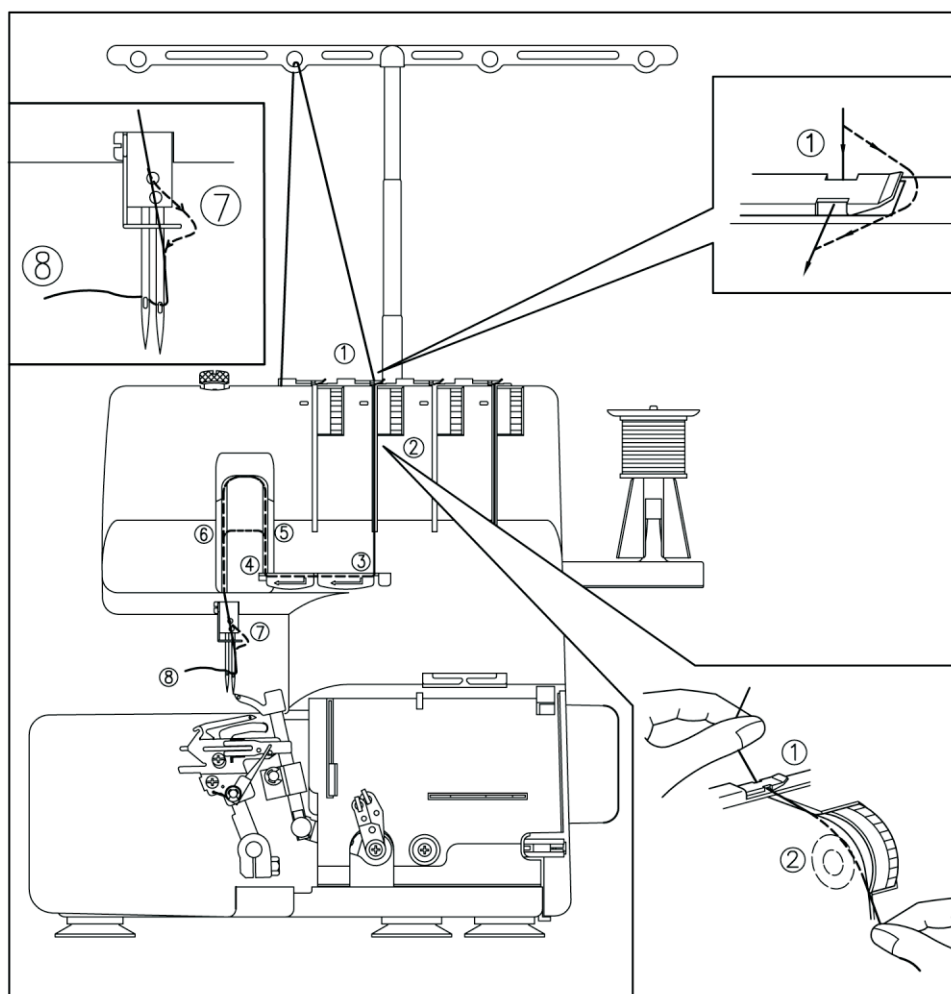
Пропустите нить в последовательности, показанной на рисунке, следуя в соответствии с номерами у каждого узла заправки



- (1) Протяните нить с катушки через нитенаправитель на стойке в направлении к себе
- (2) Вытяните еще примерно 15см нити с лицевой стороны стойки
- (3) пропустите нить через нужный нитенаправитель
- (4) Пропустите нить через натяжной шкив, расположенный в выемке рядом с регулятором натяжения нити.
- (5) Пропустите нить через выемку в направлении вниз, следуя через углы заправки, в последовательности, указанной цифрами на рисунке
- (6) Протяните нить вниз за направляющую над иглой, а затем через левую иглу в направлении от себя.

ЗАПРАВКА НИТИ В ПРАВУЮ ИГЛУ

Пропустите нить в последовательности, показанной на рисунке, следуя в соответствии с номерами у каждого узла заправки



- (1) Протяните нить с катушки через нитенаправитель на стойке в направлении к себе.
- (2) Вытяните еще примерно 15см нити с лицевой стороны стойки
- (3) пропустите нить через нужный нитенаправитель
- (4) Пропустите нить через натяжной шкив, расположенный в выемке рядом с регулятором натяжения нити.
- (5) Пропустите нить через выемку в направлении вниз, следуя через углы заправки, в последовательности, указанной цифрами на рисунке
- (6) Протяните нить вниз через направляющую над иглой, а затем через правую иглу в направлении от себя.

СРАНИТЕЛЬНАЯ ТАБЛИЦА МАТЕРИАЛОВ, НИТЕЙ И ИГЛ

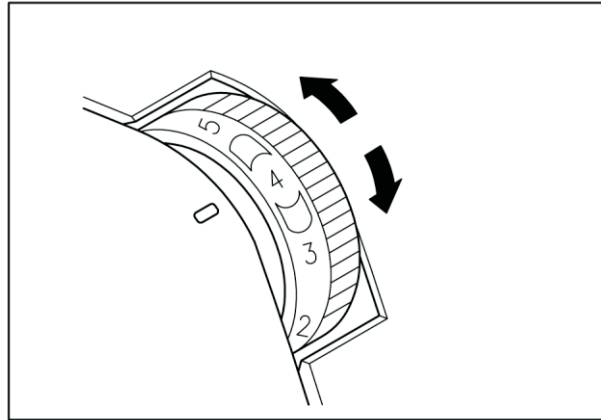
Материал	Строчка	Длина стежка (мм)	Нить	Игла
Тонкие материалы: Крепдешин Жошет Батист Органди (тонкая кисея) Трико	Строчка для обметывания (оверлок)	2,0-3,0	Скрученная : #80 Х/б: #80-100 Шелковая: #80-100	НАх1 #70 #80
Тонкие материалы: Крепдешин Жошет Батист Органди (тонкая кисея)	Узкая/скрученная строчка-мережка	Менее 2,0	Нить в игле Полиэфирная: #80 Нейлоновая: #80 Нить в петлителе Полиэфирная: #80 Нейлоновая: #80	НАх1 #70 #80
Материалы средней плотности: Поплин Гинэм (клетчатая х/б ткань) Сирсакер (льняная полосатая ткань) Габардин Саржа Трикотажная ткань	Строчка для обметывания (оверлок)	2,5-3,5	Скрученная : #60-80 Х/б: #60-80 Шелковая: #50-80 Нейлоновая: #50-80 Полиэфирная: #50-80	НАх1 #80 #90
Плотные материалы: Кашемир Твид Джинсовая ткань Джерси	Строчка для обметывания (оверлок)	3,0-4,0	Х/б: #40-60 Шелковая: #40-60 Нейлоновая: #30-60 Полиэфирная: #30-60	НАх1 #90

Примечание

Декоративную нить для модного шитья использовать в верхнем петлителе.

НАТЯЖЕНИЕ НИТЕЙ

Поворачивая регулятор к большему числу, натяжение нити увеличивается. Если поворачивать его к меньшему, натяжение нити уменьшится.



Настройка натяжения нити

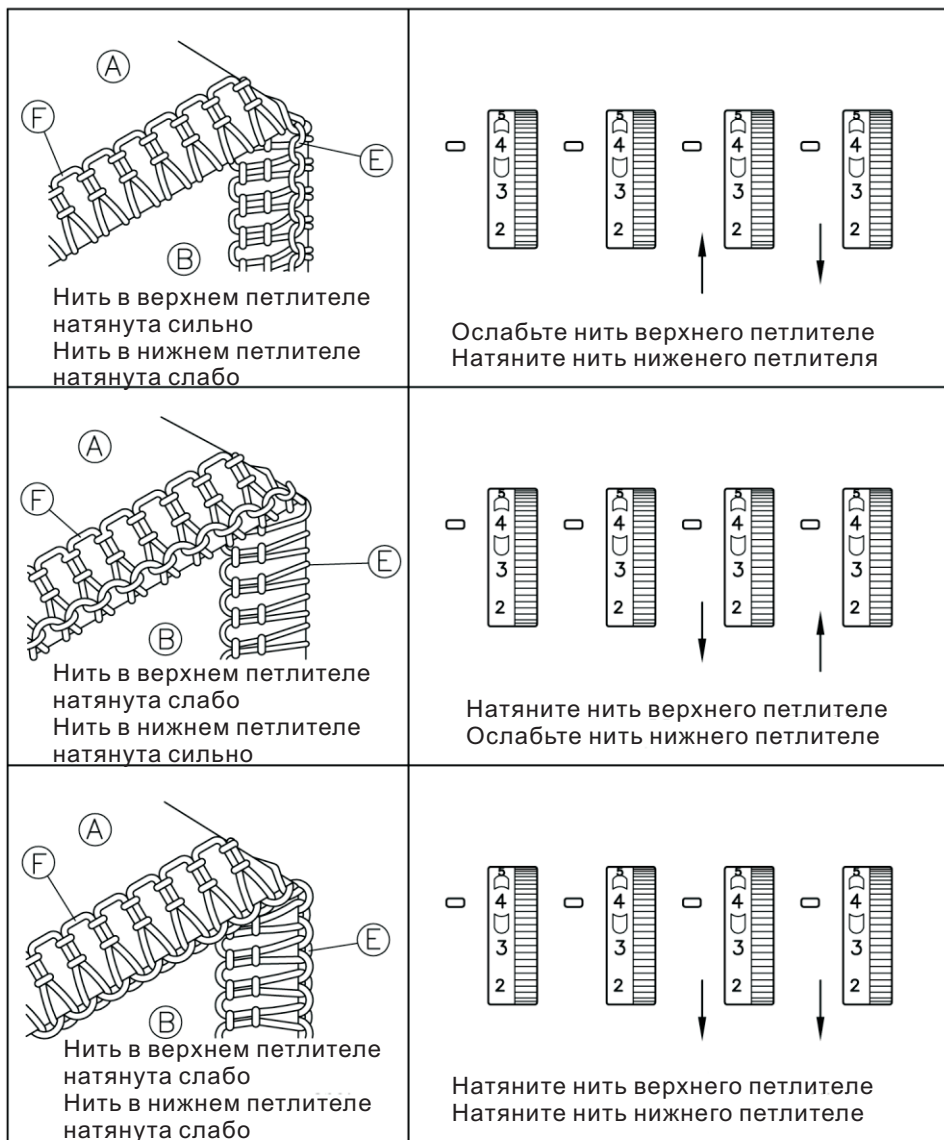
(1) Для выбора правильного натяжения нити см. рисунок.

(2) Если выбрать подходящее натяжение нити не получается, см. рисунок «В данном случае».

ТАБЛИЦА НАСТРОЙКИ НАТЯЖЕНИЯ НИТИ

<p>Нить в левой игле натянута слабо</p>	<p>Натяните нить левой иглы</p>
<p>Нить в правой игле натянута слабо</p>	<p>Натяните нить правой иглы</p>
<p>Нить в левой игле натянута сильно Нить в правой игле натянута сильно</p>	<p>Ослабить нить в левой игле Ослабить нить в правой игле</p>

- (A) Изнаночная сторона ткани
- (B) Обметываемый край
- (C) Нить левой иглы
- (D) Нить правой иглы
- (E) Нить верхнего петлителя
- (F) Нить нижнего петлителя.



- (A) Изнаночная сторона ткани
- (B) Обметываемый край
- (C) Нить левой иглы
- (D) Нить правой иглы
- (E) Нить верхнего петлителя
- (F) Нить нижнего петлителя.

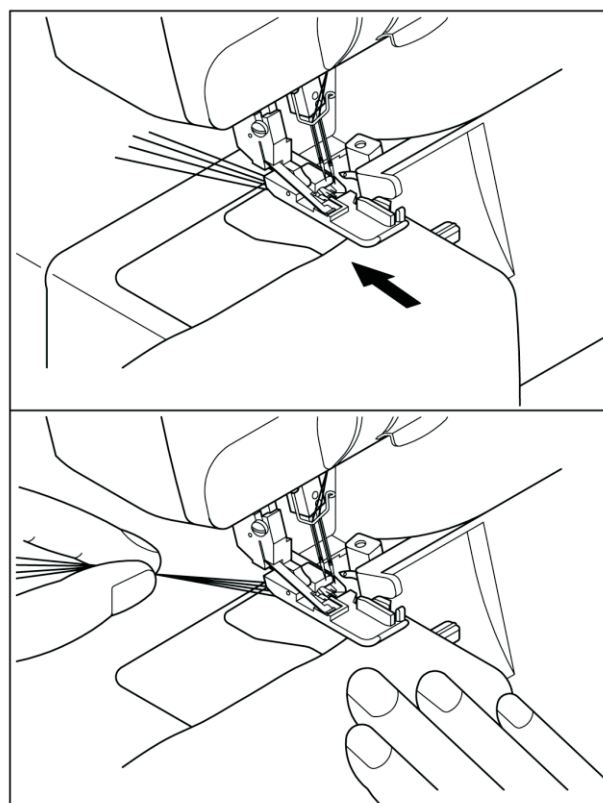
ПРОБНОЕ ШИТЬЕ

После заправки нити выполните пробное шитье
Для выполнения пробного шитья поместите кусочек ткани под прижимную лапку.

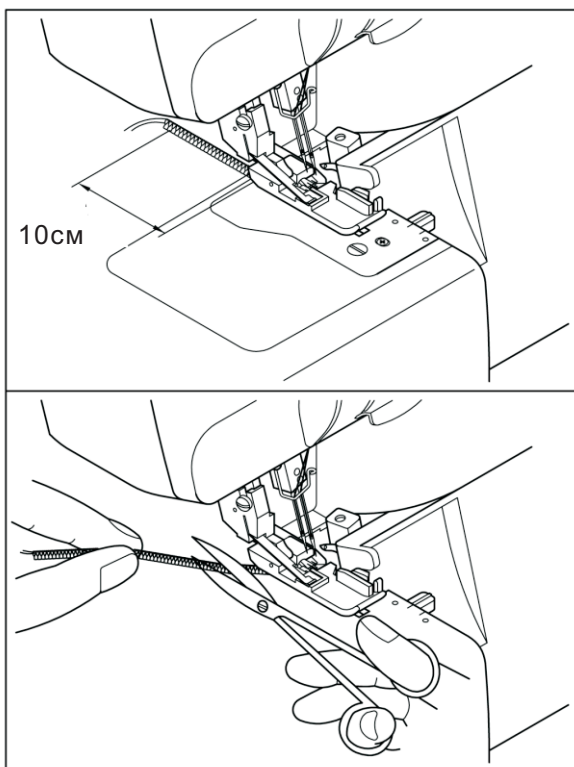
Примечание

Перед установкой ткани всегда поднимайте прижимную лапку. Попытка поместить ткань под опущенную лапку может привести к появлению неравномерного шва.

Перед использованием педали, удерживая нити левой рукой, правой поверните маховик на несколько оборотов против часовой стрелки, чтобы убедиться, что нити сплетаются.



ПРОБНАЯ СТРОЧКА



После проверки продолжайте плавно нажимать на педаль и прошейте 10 см. Нити автоматически сплетутся в цепочку стежков.

Примечание

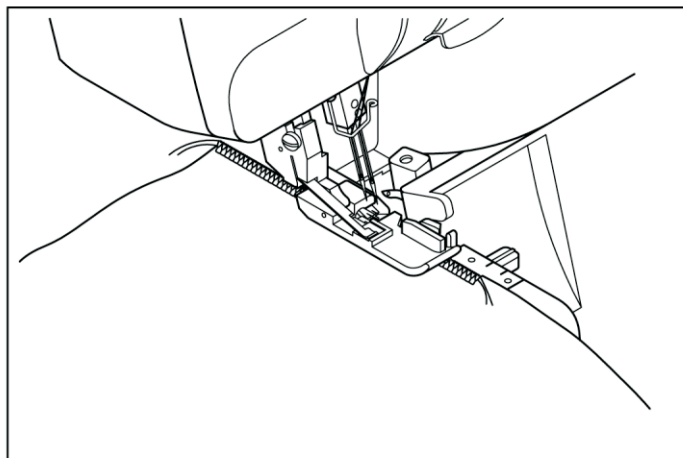
Если натяжение нитей не сбалансировано должным образом, получившаяся цепочка будет неравномерной. Если это произошло, слегка натяните нити. Проверьте нити по порядку и настройте натяжение, чтобы получилась равномерная цепочка.

РАЗРЫВ НИТИ ВО ВРЕМЯ ШИТЬЯ

Снимите материал с машины и заправьте нить в правильном порядке: верхний петлитель, нижний петлитель, правая игла, затем левая игла. Установите материал обратно под прижимную лапку и прошейте 3-5 см по старым стежкам.

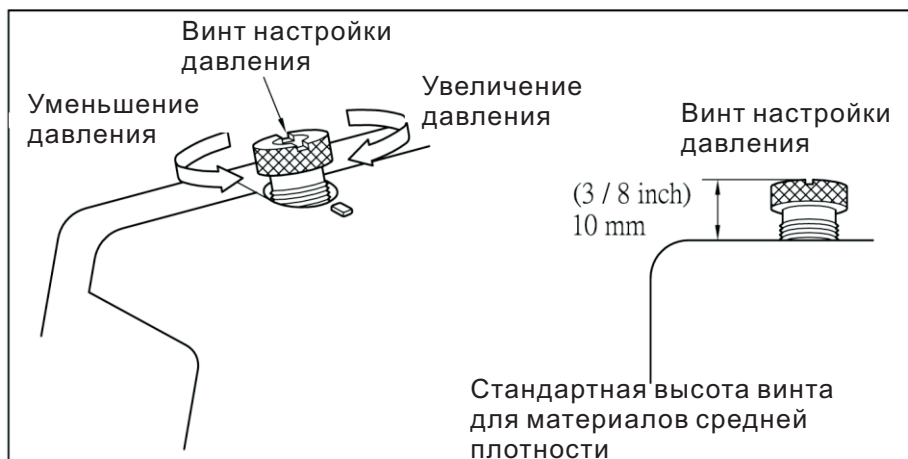
Внимание

Не оставляйте в ткани булавки, т.к. во время шитья они могут повредить иглы и ножи.



ДАВЛЕНИЕ ПРИЖИМНОЙ ЛАПКИ

Давление прижимной лапки регулируется винтом настройки давления прижимной лапки, расположенным слева на верхней стороне машины. Поскольку при поставке давление прижимной лапки отрегулировано для использования материалом малой и средней толщины, настройка давления необходима только при шитье плотных или очень тонких материалов. Обычно при шитье очень тонких материалов давление прижимной лапки необходимо ослабить. Обычно при шитье плотных материалов давление прижимной лапки необходимо увеличить.



ПОИСК И УСТРАНЕНИЕ НЕИСПРАВНОСТЕЙ

Проблема	Причина	Как устранить
Ткань не продвигается	Давление прижимной лапки слишком слабо	Поверните винт настройки давления прижимной лапки по часовой стрелке для увеличения давления
Поломка иглы	1. Игла погнулась или ее конец затупился 2. Игла установлена неправильно 3. Материал сильно натягивается	1. Затяните иглу 2. установите иглу правильно 3. Не подталкивайте ткань и не тяните ее
Обрыв нити	1. Нить неправильно заправлена 2. Нить запуталась 3. Натяжение нити слишком велико 4. Игла установлена неправильно 5. Используется не та игла.	1. Заправьте нить правильно 2. Проверьте катушку, нитенаправители и т.д. и распутайте нить 3. Смотрите Натяжение нитей 4. Установите иглу правильно 5. Используйте подходящую иглу.
Пропуск стежков	1. Игла погнулась или ее конец затупился 2. Игла установлена неправильно 3. Используется не та игла. 4. Нить неправильно заправлена 5. Давление прижимной лапки слишком слабо	1. Замените иглу на новую 2. Установите иглу правильно 3. Используйте подходящую иглу. 4. Заправьте нить правильно 5. Поверните винт настройки давления прижимной лапки по часовой стрелке для увеличения давления
Стежки неравномерны	Натяжение нитей настроено неправильно	Смотрите Натяжение нитей
Ткань сморщивается	1. Натяжение ткани слишком велико 2. Нить заправлена неправильно или запуталась	Уменьшите натяжение нити при шитье легких или тонких материалов 2. Заправьте нить правильно

УЗКАЯ ОБМЕТОЧНАЯ СТРОЧКА/ СТРОЧКА С ПОДОГНУТЫМ КРАЕМ

Узкая обметочная строчка/строчка с подогнутым краем предназначены для декоративной отделки легкой ткани и ткани средней плотности. Данные строчки часто используются для отделки краев ткани. Для шитья данных строчек необходимо снять с машины левую иглу и использовать обметочную строчку из трех нитей.

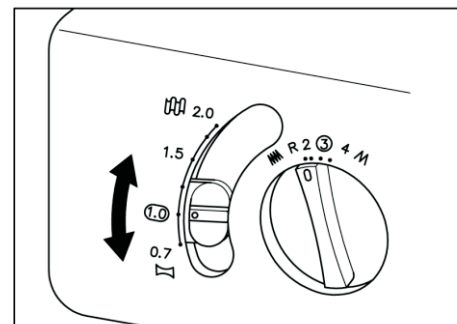
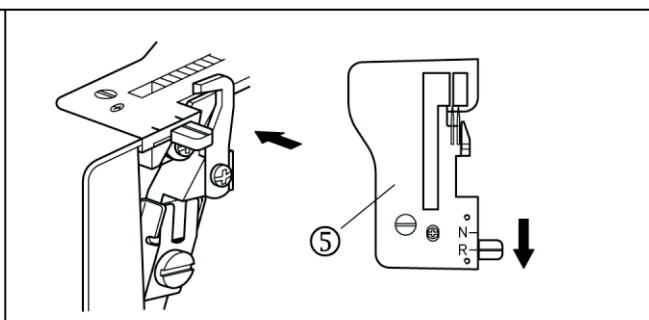
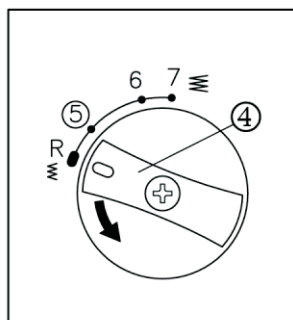
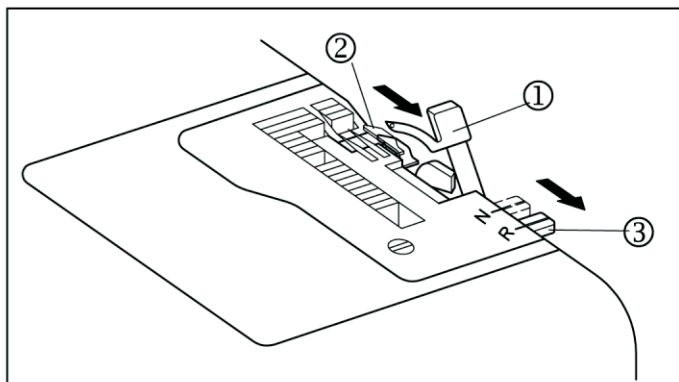
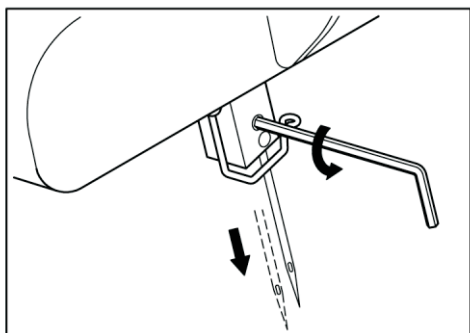
- (1) Снимите левую иглу.
- (2) Для шитья следующих тканей рекомендуется использовать нейлоновую или полиэфирную нить #80:
Жоржет
Вискоза
Льняная ткань/легкая/х/б
Сукно
- (3) Заправьте нити в машину для выполнения обметочной строчки с использованием трех нитей и правой иглы.
- (4) Сдвиньте штифт узкого стежка в положение R.
 1. Поднимите рычаг прижимной лапки
 2. Потяните все нити к задней стороне машины.
 3. Убедитесь, что нить не обведена вокруг штифта регулировки стежка.
 4. Откройте лицевую крышку
 5. Опустите верхний петлитель в крайнее нижнее положение, повернув маховик.
 6. Сдвиньте штифт узкого стежка в положение R (узко).

Примечание

При выполнении обметочных строчек установите штифт узкого стежка в положение N (нормально).

1. Верхний петлитель
2. Штифт узкого стежка
3. Рычажок освобождения штифта регулировки стежка
4. Регулятор ширины строчки
5. Игольная пластина со штифтом в положении R (узкий)

- (5) настройте ширину строчки для выполнения скрученной строчки. Переключите регулятор ширины строчки (находится на левой стороне машины ближе к лицевой стороне)



(6) Насторойте длину стежка в положение R . Эта установка подходит как для узкой обметочной, так и для скрученной подогнутой строчки.

Выполнение скрученной подогнутой строчки (руликовый шов)

При применении данной строчки край ткани скручивается и подгибается под шов. натяжение нити в нижнем петлителе следует увеличить. При этом нить в верхнем петлителе натягивается, а край ткани складывается при помощи штифта узкого стежка. После выполнения шагов (1) - (6) установите следующие значения натяжения нитей:

Натяжение нити в верхнем петлителе - 1-4

Натяжение нити в нижнем петлителе - 5-7

Натяжение нити в правой игле - 4

Натяжение может немного варьироваться в соответствии с типом используемой ткани и нити.

Выполнение узкой обметочной строчки

Данная строчка используется для декоративных целей при отделке краев ткани. После выполнения шагов (1) -(6) установите значения натяжения нитей, соответствующие нормальной обметочной строчке из трех нитей. рекомендуется использовать следующие значения натяжения нитей:

Натяжение всех нитей - 4

Натяжение может немного варьироваться в соответствии с типом используемой ткани и нити.

ТАБЛИЦА УЗКИХ ОБМЕТОЧНЫХ СТРОЧЕК/ СТРОЧЕК С ПОДОГУТЫМ КРАЕМ

	Скрученная подогнутая строчка	Узкая обметочная строчка
Стиль строчки	<p>Нижняя сторона ткани</p>  <p>Верхняя сторона ткани</p>	<p>Нижняя сторона ткани</p>  <p>Верхняя сторона ткани</p>
Тип ткани	Легкие ткани: Крепдешин, Жоржет, Батист, органди (тонкая кисея)	Легкие ткани: Крепдешин, Жоржет, Батист, органди (тонкая кисея)
Нить в игле	Нейлоновая нить #80 Полиэфирная нить #80	Нейлоновая нить #80 Полиэфирная нить #80
Нить верхнего петлителя	Шерстяная нейлоновая нить Декоративная нить	Шерстяная нейлоновая нить Нейлоновая нить #80 Полиэфирная нить #80
Нить нижнего петлителя	Нейлоновая нить #80 Полиэфирная нить #80	Нейлоновая нить #80 Полиэфирная нить #80
Длина стежка	R	R
Ширина строчки	R-5	R-5
Штифт регулировки стежка	Положение R	Положение R
Натяжение нитей	4 (3-5)	4 (3-5)
Нить в игле	3 (1-4)	4 (3-5)
Нить верхнего петлителя	6 (5-7)	4 (3-5)
Нить нижнего петлителя		

ЗАМЕНА НОЖЕЙ

Замена верхнего ножа

- (1) Для снятия ножа ослабьте затяжку винта крепления верхнего ножа и вытяните нож.
- (2) Установите новый нож в держатель верхнего ножа.
- (3) Затем поверните маховик, чтобы верхний нож спустился в нижнее положение. Проверьте, чтобы верхний нож находился за нижним и отрегулируйте напуск между ними, установите значение 0,5-1,0мм
- (4) Надежно закрепите верхний нож.

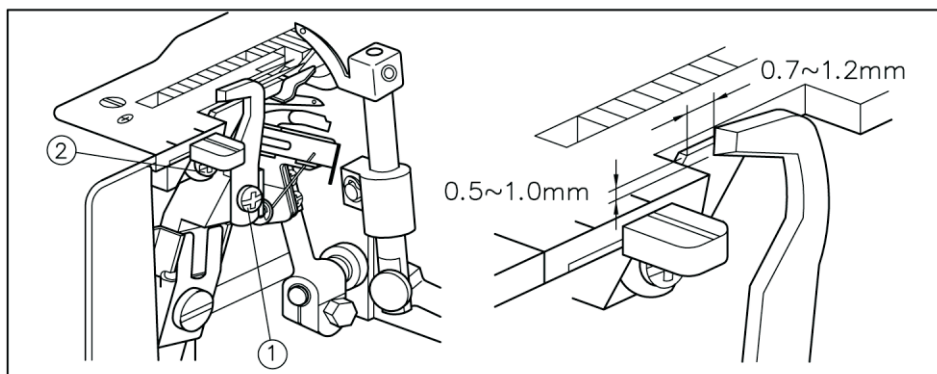
1. Винт крепления верхнего ножа

Замена нижнего ножа

- (1) Ослабьте затяжку винта крепления нижнего ножа и вытащите нож.
- (2) Установите новый нож в держатель нижнего ножа.
- (3) Расположите нижний нож так, чтобы его край выровнялся с игольной пластиной по высоте.
- (4) Надежно затяните винт крепления нижнего ножа.

2. Винт крепления нижнего ножа

*для точной обрезки верхний и нижний ножи необходимо выровнять.



СМАЗКА

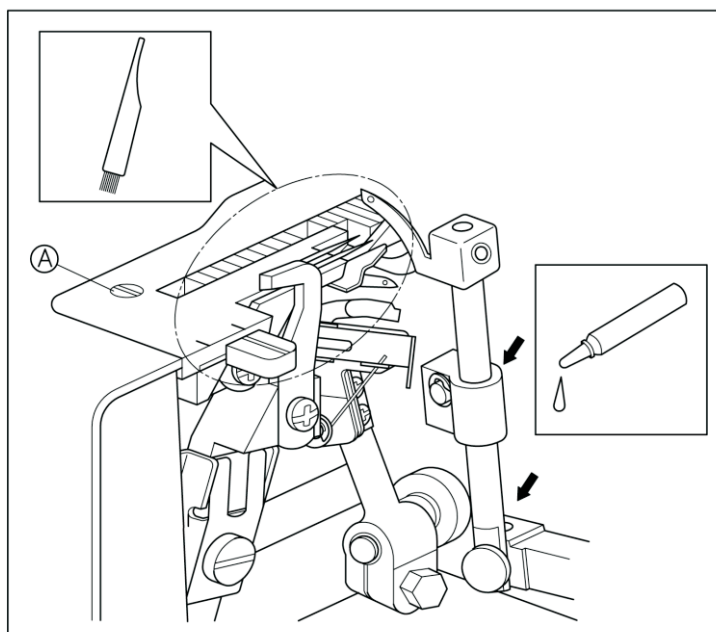
Для поддержания плавной и бесшумной работы движущиеся части машины необходимо периодически смазывать.

Замечания

Смажьте машину перед использованием. Перед смазкой очистите машину от пыли.

Для нормального использования смазывайте машину один-два раза в месяц. При частом использовании смазывайте машину раз в неделю.

Игольная пластина снимается после отвинчивания винта (A).



ЗАМЕНА ЛАМПОЧКИ ПОДСВЕТКИ

Внимание

Перед выполнением следующих операций выключите питание машины.

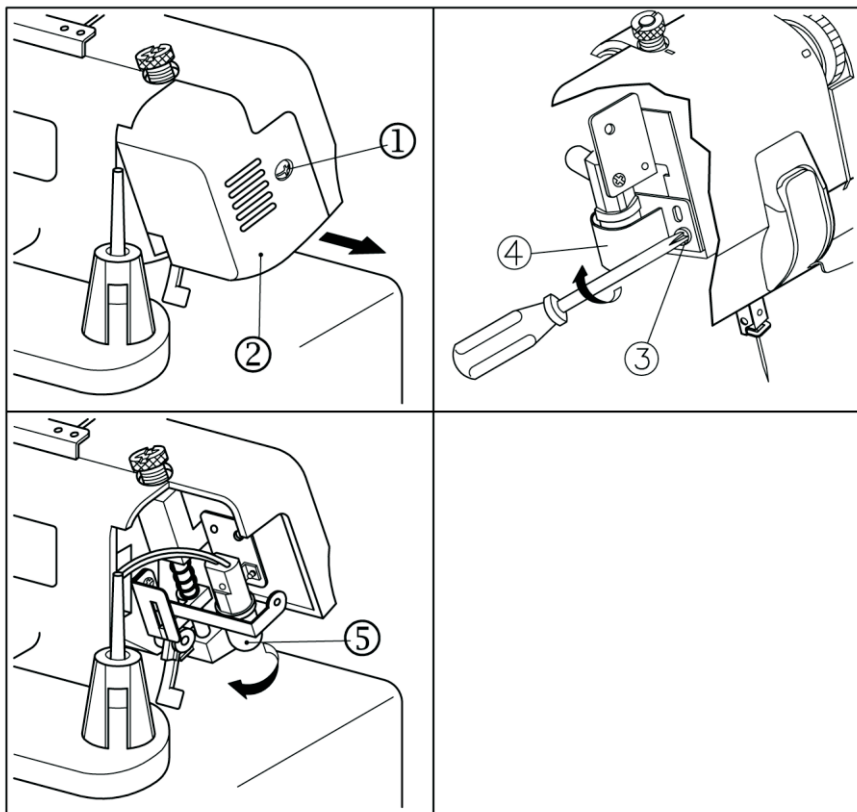
Замена лампочки подсветки

Снимите крышку осветительного отсека, как показано на рисунке.

Ослабьте затяжку винта крышки лампочки, потяните за крышку и извлеките ее.

Вытяните лампочку подсветки и замените ее на новую.

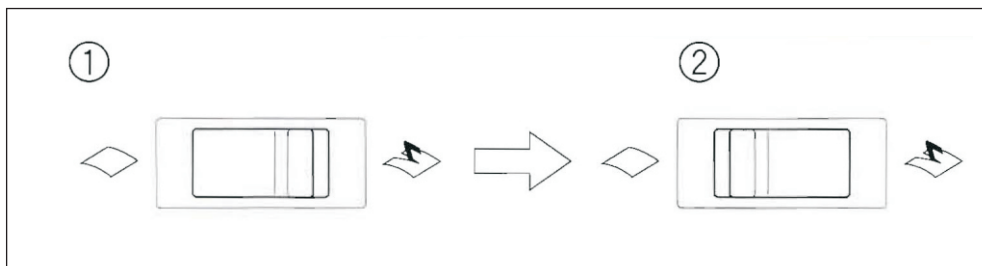
1. Винт
2. Крышка осветительного отсека
3. Винт
4. Крышка лампочки
5. Лампочка



Отключение ножа обрезки ткани.

Если обрезка ткани не требуется, отключите верхний нож, подвинув рычаг ножа влево.

При этом выступающий неработающий верхний нож можно использовать в качестве направляющей.



ТЕХНИЧЕСКИЕ ДАННЫЕ МАШИНЫ

Материал - от легкого до средней тяжести
Скорость - 1200 стежков в минуту
Длина стежка - 1,1-4мм
Ширина обметки - 2,3-7,0мм
Лапка - для оверлока
Подъем лапки - 5-6мм
Ход игловодителя - 25мм
Тип иглы - NАх1 (130-705Н)
Количество игл и нитей - 3/4 нити 1/2иглы
Вес - 7,0кг

МЕРЫ ПРЕДОСТОРОЖНОСТИ

Перед использованием машины, пожалуйста, прочитайте это руководство.
Не используйте машину при температуре окружающей среды выше, чем 45°C или ниже чем 5°C , в помещениях с повышенной влажностью воздуха или открытом воздухе, иначе машина может работать неправильно. Во избежание образования конденсата на электронных устройствах не рекомендуется включать машину сразу с холода. Дайте ей согреться при комнатной температуре (и постоять в тепле). Не рекомендуется использовать машину при нестабильной работе электрической сети или в местах, где сильное электрическое или магнитное поле, иначе машина будет работать со сбоями. Устанавливать машину необходимо на ровную устойчивую поверхность, учитывая, чтобы машина имела достаточное расстояние от неподвижных предметов и не соприкасалась с ними. Не роняйте машину, это может привести к травмам или к повреждению машины.

ПРИ РАБОТЕ НА МАШИНЕ

Будьте внимательны при работе на машине, оберегайте руки от попадания в зону работы движущихся частей машины, особенно в поле работы игл. Во избежание удара током или возникновения замыкания: все кабели должны быть в хорошем состоянии и не иметь повреждений (порезов, прожогов и т.д.), не соприкасаться с влажной или агрессивной средой. Кабель питания должен иметь хороший контакт с электрической сетью. При разъединении кабеля питания от сети, не тяните за кабель.

СОХРАНИТЕ ЭТУ ИНСТРУКЦИЮ

Эта машина предназначена только для бытового применения.
Данное устройство не предназначено для использования людьми (в том числе детьми) с ограниченными физическими, сенсорными или умственными возможностями или не имеющими достаточных знаний и навыков, за исключением случаев, когда наблюдение за ними или их обучение проводится лицами, отвечающими за их безопасность. Следите за детьми и не допускайте, чтобы они играли с данным устройством.
При соблюдении условий эксплуатации и правил хранения швейной машины срок службы – 8 лет .

ПРОИЗВОДИТЕЛЬ

Mitsumichi Industrial Co., Ltd.
Митсумиши Индастриал Ко.. Лтд.
Address: No.259, Taiming Rd., Wuri Dist., Taichung city, 41468, Taiwan (R.O.C)
Адрес: №259, Таймин роад, Вори Дист., Тайчунг сити, 41468, Тайвань

ИМПОРТЁР В РОССИИ: АО ПКФ «ВЕЛЛЕС»

111399, г. Москва, Федеративный проспект, д. 9, к. 1, пом. 4, оф. 17

ИМПОРТЁР И СЕРВИСНЫЙ ЦЕНТР В РЕСПУБЛИКЕ БЕЛАРУСЬ: ООО «Сьютрейд»,

220136, г. Минск, ул. Скрипникова, д. 12, пом. 90, каб. 1

ИМПОРТЁР В УКРАИНЕ: ТОВ «ВІНД-ТРЕЙДІНГ»

04071, м. Київ, вул. Введенська, будинок 29/58, офіс 98

ИМПОРТЁР В ГРУЗИИ: U.M.S. Couturier Ltd.

2 Gamsakhurdia ave. 0171, Tbilisi

ДАТА ПРОИЗВОДСТВА: информация о дате производства находится на товарной упаковке и корпусе машины

СЕРИЙНЫЙ НОМЕР: информация о серийном номере находится на товарной упаковке и корпусе машины.

СРОК ЭКСПЛУАТАЦИИ: 8 лет